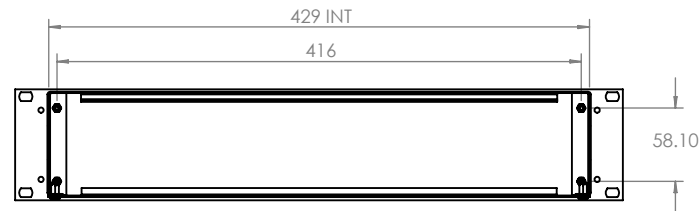
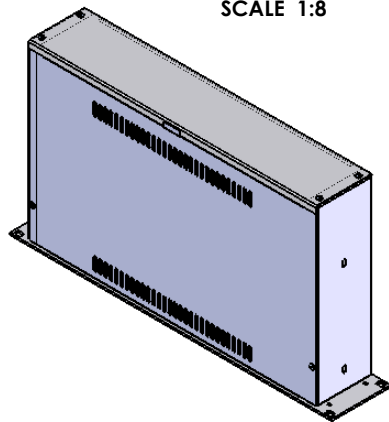


SECTION A-A



SECTION B-B

ISO VIEW
SCALE 1:8



		UNLESS OTHERWISE SPECIFIED: DIMENSIONS ARE IN MILLIMETERS		DO NOT SCALE DRAWING	REVISION. 0	
		JAMES CARTER RD, MILDENHALL, SUFFOLK. IP28 7DE TEL: 01638 716101 FAX: 01638 716554 EMAIL: Sales@CamdenBoss.com WEB: www.CamdenBoss.com		TITLE: GNL ASSEMBLY DRG FOR 180 SERIES - 2U 263 DEEP		
DRAWN		NAME	SIGNED	DATE	MATERIAL.	DWG NO.
CHKD		IAN PAGANO	I.P.	12/08/13	VAR	C19G2263BH
					PROJECTION.	SCALE: 1 : 6
						SHEET 1 OF 1

A4