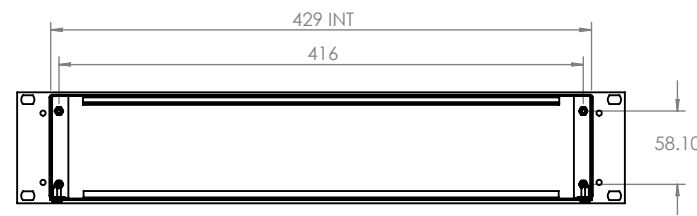
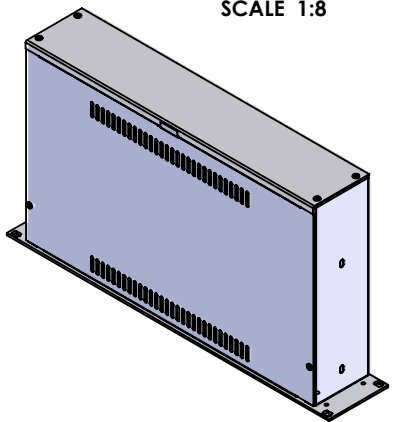


SECTION A-A



SECTION B-B

ISO VIEW  
SCALE 1:8



 JAMES CARTER RD, MILDENHALL, SUFFOLK. IP28 7DE TEL: 01638 716101 FAX: 01638 716554 EMAIL: Sales@CamdenBoss.com WEB: www.CamdenBoss.com				UNLESS OTHERWISE SPECIFIED: DIMENSIONS ARE IN MILLIMETERS		DO NOT SCALE DRAWING		REVISION. 0	
				FINISH. <b>VAR</b>		TITLE: <b>GNL ASSEMBLY DRG FOR 180 SERIES - 2U 263 DEEP</b>			
DRAWN IAN PAGANO		SIGNED I.P.	DATE 12/08/13	MATERIAL. <b>VAR</b>		DWG NO. <b>C19G2263B</b>		A4	
CHK'D				PROJECTION.		SCALE. 1 : 6		SHEET 1 OF 1	