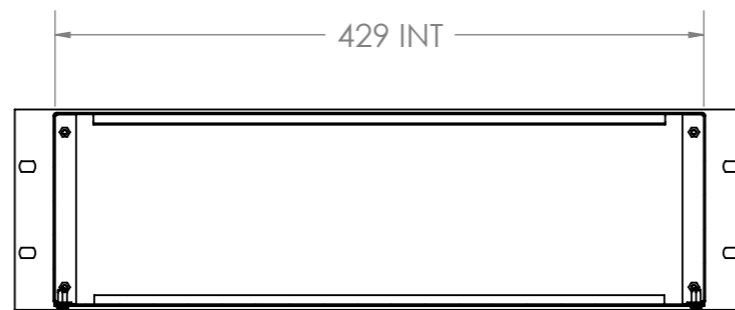
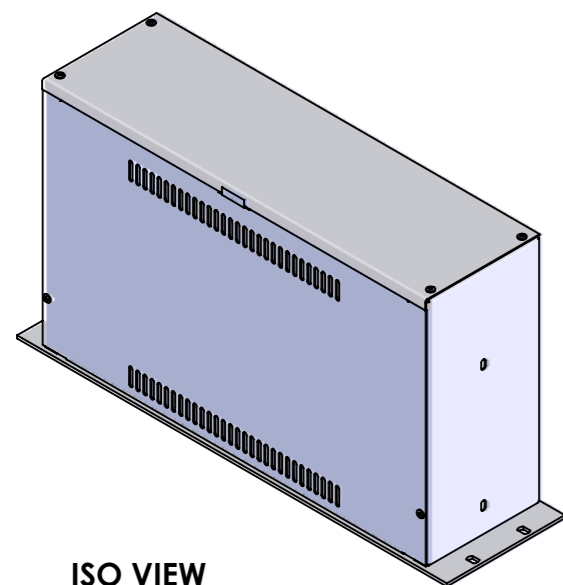


SECTION A-A



SECTION B-B



ISO VIEW
SCALE 1:6

 JAMES CARTER RD, MILDENHALL, SUFFOLK, IP28 7DE TEL: 01638 716101 FAX: 01638 716554 EMAIL: Sales@CamdenBoss.com WEB: www.CamdenBoss.com				UNLESS OTHERWISE SPECIFIED: DIMENSIONS ARE IN MILLIMETERS		DO NOT SCALE DRAWING	REVISION: 0
				FINISH: VAR		TITLE: GNL ASSEMBLY DRG FOR 180 SERIES - 3U 263 DEEP	
DRAWN	NAME IAN PAGANO	SIGNATURE I.P.	DATE 12/08/13	MATERIAL: VAR	DWG NO. C19G3263B	A3	
CHK'D				PROJECTION.	SCALE: 1:5	SHEET 1 OF 1	