

1 2 3 4 5 6 7 8

A

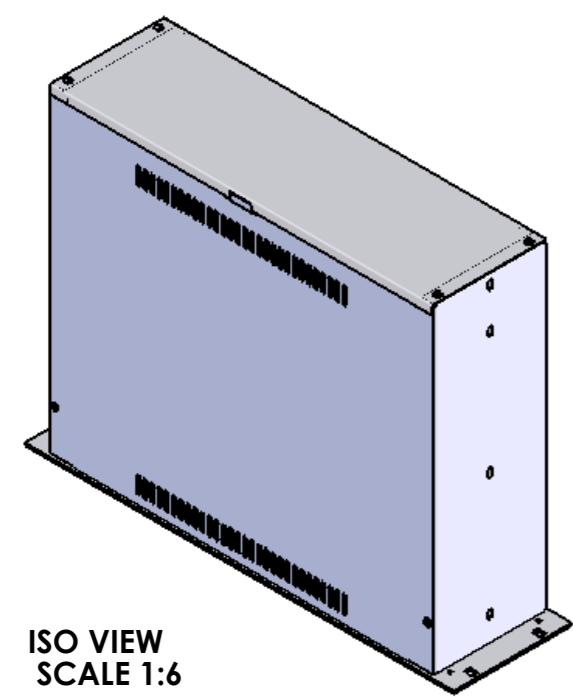
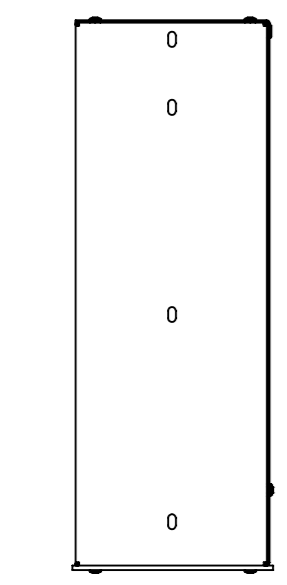
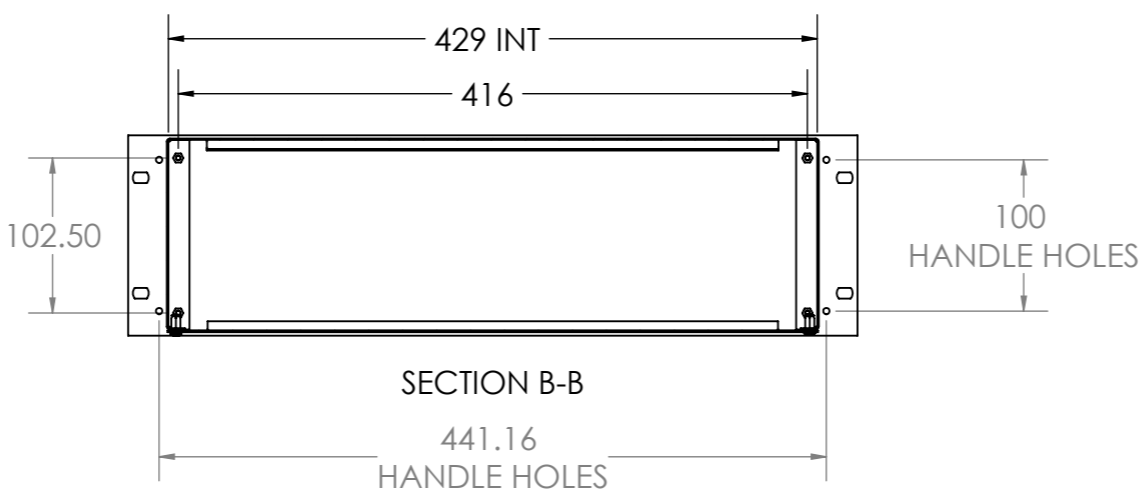
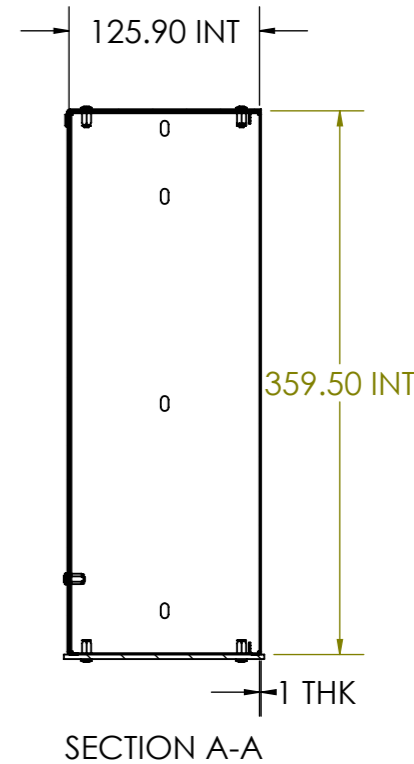
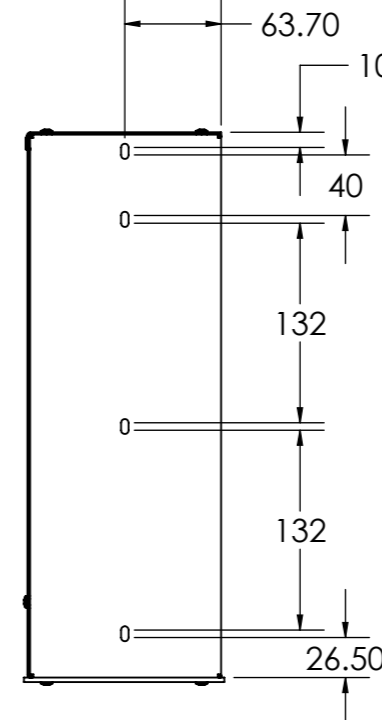
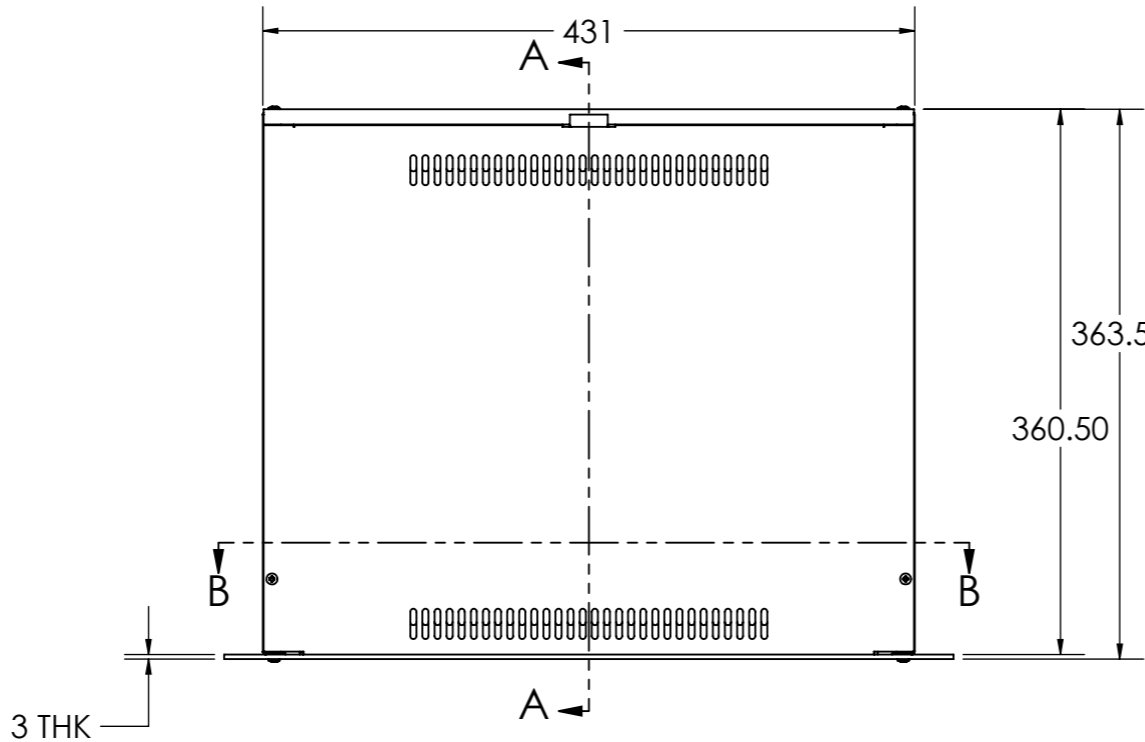
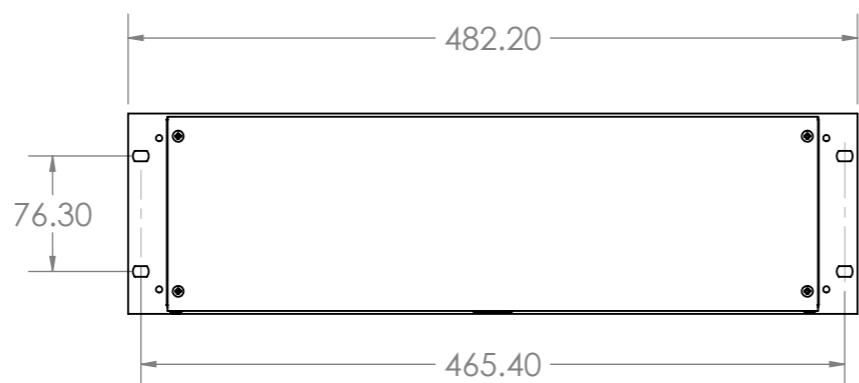
B

C

D

E

F



ISO VIEW  
SCALE 1:6

 JAMES CARTER RD, MILDENHALL, SUFFOLK, IP28 7DE TEL: 01638 716101 FAX: 01638 716554 EMAIL: Sales@CamdenBoss.com WEB: www.CamdenBoss.com				UNLESS OTHERWISE SPECIFIED: DIMENSIONS ARE IN MILLIMETERS		DO NOT SCALE DRAWING	REVISION: O
				FINISH: <b>VAR</b>		TITLE: <b>GNL ASSEMBLY DRG FOR 180 SERIES - 3U 263 DEEP</b>	
DRAWN: IAN PAGANO		SIGNATURE: I.P.		DATE: 12/08/13		MATERIAL: <b>VAR</b>	
CHK'D:				PROJECTION:		DWG NO.: <b>C19G3363BH</b>	A3
						SCALE:1:5	SHEET 1 OF 1