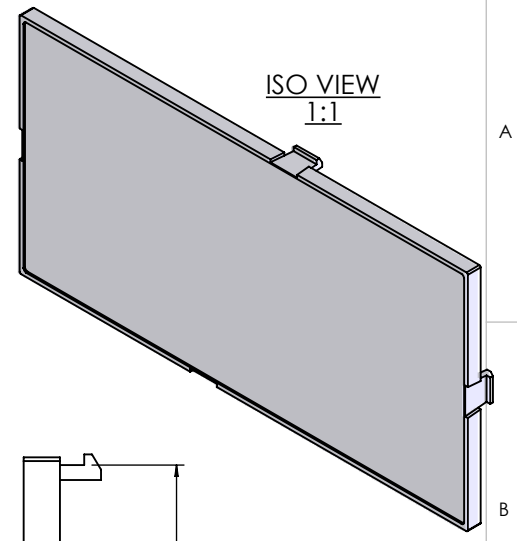
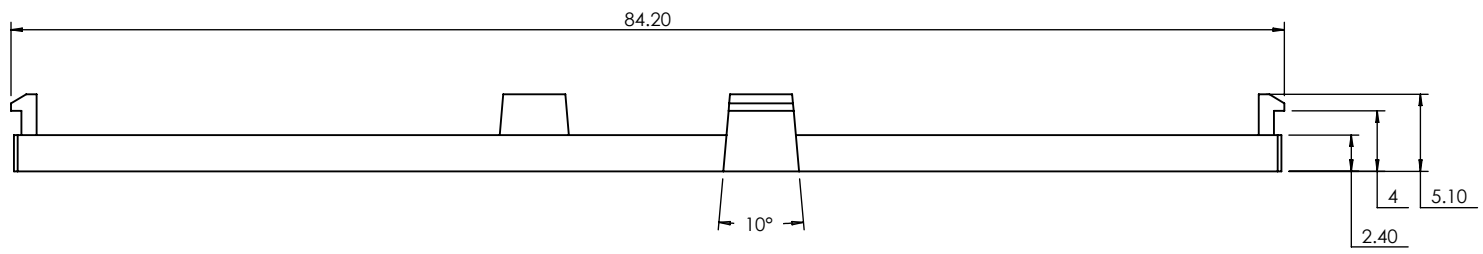
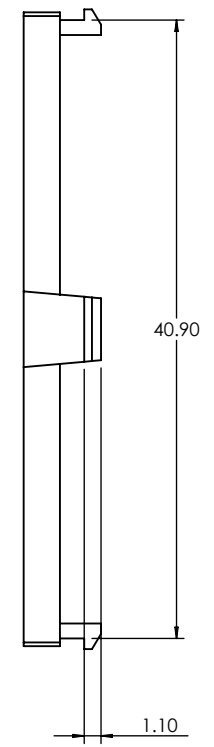
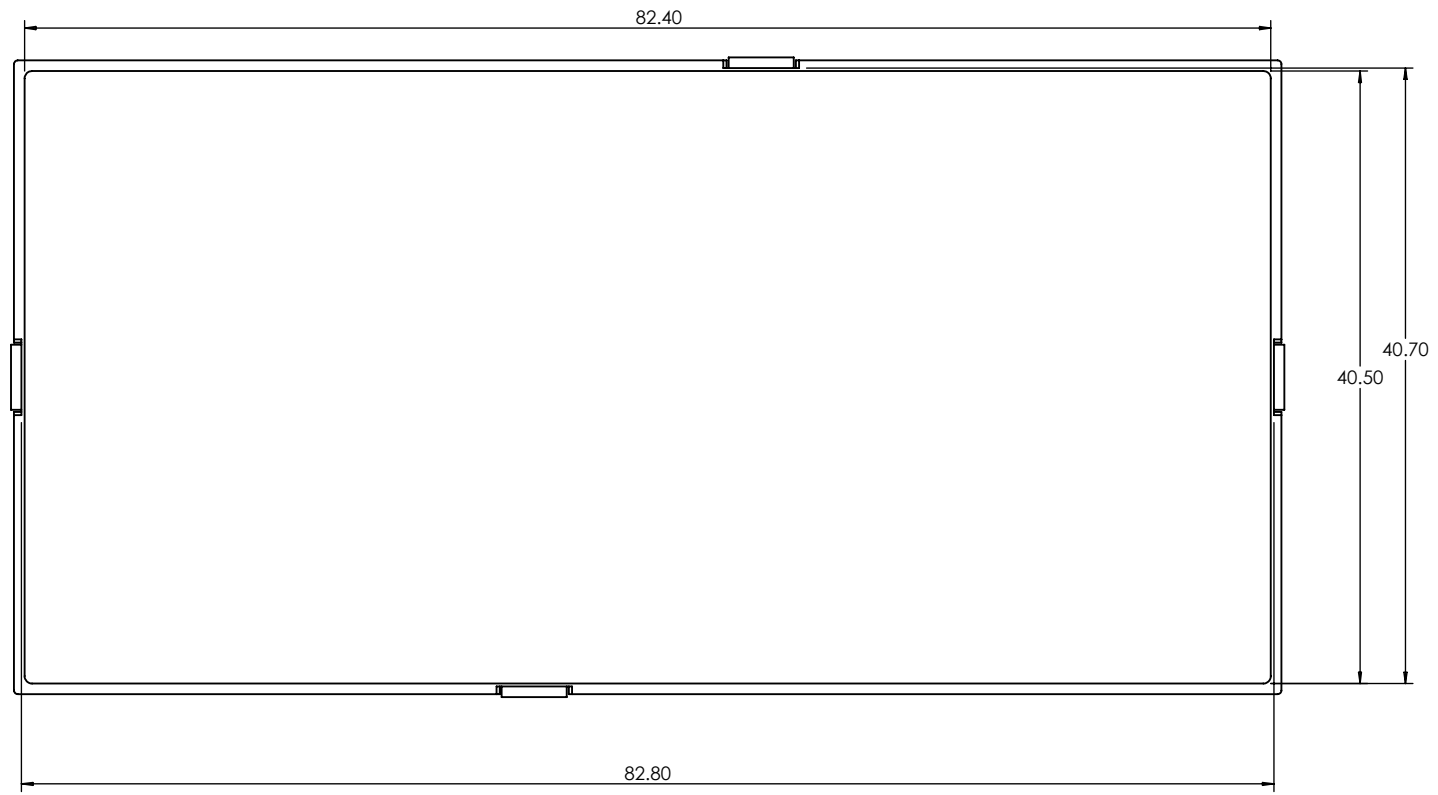


1 2 3 4 5 6

A



B



C

D

CAMDENBOSS
ELECTRONICS & ENCLOSURES
JAMES CARTER RD, MILDENHALL, SUFFOLK. IP28 7DE
TEL: 01638 716101 FAX: 01638 716554
EMAIL: Sales@CamdenBoss.com
WEB: www.CamdenBoss.com

UNLESS OTHERWISE SPECIFIED:
DIMENSIONS ARE IN MILLIMETERS
GENERAL TOLERANCES +/- 0.2
FINISH. GLOSS

DO NOT SCALE DRAWING REVISION. ○
TITLE:
DIMENSION DRAWING FOR CNMB
/5/PC

	NAME	SIGNED	DATE
DRAWN	IAN PAGANO	I.P.	20/06/114
CHKD	-	-	-

MATERIAL. PC UL 94 - V0
PROJECTION.

DWG NO. CNMB-5-PC A4
SCALE: 2:1 SHEET 1 OF 1

1 2 3