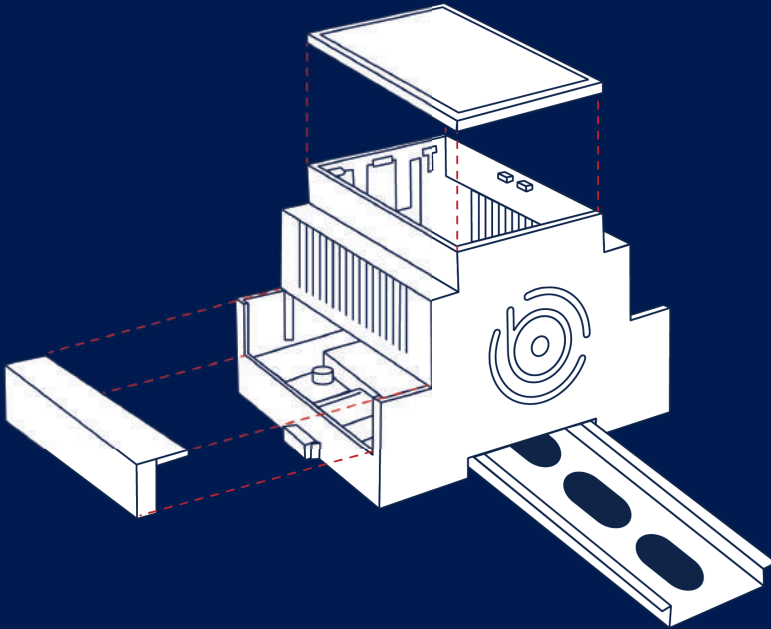


THE CAMDENBOSS GUIDE TO CHOOSING A DIN RAIL ENCLOSURE



YOUR CNMB, YOUR WAY


YOUR CNMB, YOUR WAY

The modular CNMB range offers a comprehensive and flexible design solution, perfect for today's evolving IoT market. The CNMB is moulded in UL94-V0 polycarbonate and has eight size options. Select from vented or extended wall enclosures and open/solid top options. The CNMB provides solutions for DIN Rail mounted PCB's, drive and control applications and IoT modules. Open sides allow for easy terminal connections; perfect for components such as RJ45 sockets and board mounted connectors.


Our step by step guide and product selection table makes choosing your CNMB easier.

1


Possible PCB positions




Horizontal PCB position
A




Horizontal PCB position
B



Horizontal PCB position
C




Vertical PCB position
D




Vertical PCB position
E

2


Choose your body length




CNMB/1
17.5mm




CNMB/2
36mm



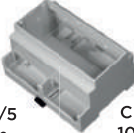
CNMB/3
53.4mm




CNMB/4
71.2mm




CNMB/5
88mm



CNMB/6
106.2mm




CNMB/9
159.2mm




CNMB/12
212.1mm

3

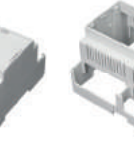
Choose your body type



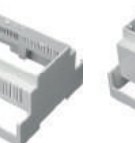
Standard



Solid top (ST)



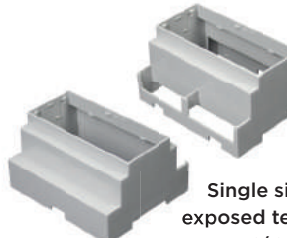
Vented (V)



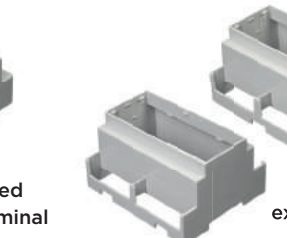
Extended wall (W)

4

Choose the exposed terminal position




Single sided exposed terminal (/1)




Double sided exposed terminal (/2)

5


Choose your terminal guards




Solid (/TGS)




5.08mm pitch perforated (/TG508P)




5.08mm pitch pre-drilled (/TG508)




7.5mm pitch pre-drilled (/TG750)




10.16mm pitch pre-drilled (/TG100)



RJ45 5.08mm pitch perforated (/TGRJ45)



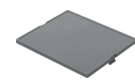
MINI USB 5.08mm pitch perforated (/TGMINIUSB)




USB 5.08mm pitch perforated (/TGUSB)

6


Choose your cover




Grey (/PG)




Clear transparent (/PC)




Smoked transparent (/PS)




Red transparent (/PR)




Red transparent curved (/PRC)



Smoked transparent curved (/PSC)

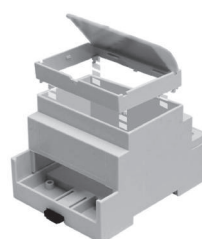


Clear transparent curved (/PCC)




Grey curved (/PGC)

Extended height attachment (body not included)




CNMB/4/E


- Enables you to increase the height of your CNMB by 16mm
- Available to fit body sizes 2, 3, 4, 5, 6 and 9
- Choose your hinged, curved lid (grey, clear transparent or red transparent)
- Adds space for an additional horizontal PCB slot
- Extended height modules are not compatible with solid top bodies



CNMB/2/HPGC



CNMB/2/HPCC



CNMB/2/HPRC

Why not customise your CNMB...

Drilling & CNC milling to create slots, holes and features, printing & engraving, surface coating, RFI shielding, bespoke colours (subject to MOQ)

CREATE YOUR PERFECT CNMB

JOT DOWN YOUR CNMB PART NUMBER HERE ▶

BODY LENGTH BODY TYPE EXPOSED TERMINAL POSITIONS

CNMB /  / 

PCB POSITIONS AND SIZES

1	HORIZONTAL PCB SIZE AND POSITION	A	86.5 x 14mm	86.5 x 33mm	86.5 x 50mm	86.5 x 68mm	86.5 x 84mm	86.5 x 103mm	86.5 x 156mm	86.5 x 208mm
		B	57 x 14mm	57 x 32mm	57 x 49mm	57 x 67mm	57 x 83mm	57 x 102mm	57 x 155.5mm	57 x 207mm
		C	41.8 x 14mm	42 x 32mm	42 x 49mm	42 x 67mm	42 x 83mm	42 x 102mm	42 x 155mm	42 x 207mm
	VERTICAL PCB SIZE AND POSITION	D	34 x 59.6mm	34 x 59.6mm	34 x 59.6mm	34 x 59.6mm	34 x 59.6mm	34 x 59.6mm	34 x 59.6mm	34 x 59.6mm
		E	40 x 14.8mm	40 x 33mm	40 x 50mm	40 x 68mm	40 x 84mm	40 x 103mm	40 x 155mm	40 x 208mm

SELECT YOUR CNMB BODY

2	CNMB BODY LENGTH	CNMB/1 17.5mm	CNMB/2 36mm	CNMB/3 53.4mm	CNMB/4 71.2mm	CNMB/5 88mm	CNMB/6 106.2mm	CNMB/9 159.2mm	CNMB/12 212.1mm	
3	CNMB BODY TYPE	<p>Standard body (e.g. CNMB/4) Solid top body add ST (e.g. CNMB/4ST) Vented body add V (e.g. CNMB/4V) Extended wall body add W (e.g. CNMB/4W) Please note that terminal guards do not fit extended wall versions. Combination of body types add W, V, ST. (e.g. extended wall vented would be CNMB/4WV) May be subject to MOQ.</p>								
4	CHOOSE THE NUMBER OF EXPOSED TERMINAL POSITIONS REQUIRED	<p>Add /1 for a single sided exposed terminal (e.g. CNMB/5/1) Please note , this is only available as standard in sizes 5, 6 and 9 Add /2 for a double sided exposed terminal (e.g. CNMB/5/2)</p>								

SELECT YOUR TERMINAL GUARDS

5	CHOOSE THE SAME STYLE OR MIX AND MATCH e.g. CNMB/3/TGS X2 OR CNMB/3/TG508 X1 AND CNMB/3/TGS X1	SOLID	CNMB/1	CNMB/2	CNMB/3	CNMB/4	CNMB/5	CNMB/6	CNMB/9	CNMB/12
		5.08mm PITCH PERFORATED	CNMB/1/TGS	CNMB/2/TGS	CNMB/3/TGS	CNMB/4/TGS	CNMB/5/TGS	CNMB/3/TGS	CNMB/3/TGS	CNMB/3/TGS
		5.08mm PITCH PRE-DRILLED	CNMB/1/TG508P	CNMB/2/TG508P	CNMB/3/TG508P	CNMB/4/TG508P	CNMB/5/TG508P	CNMB/3/TG508P	CNMB/3/TG508P	CNMB/3/TG508P
		5.08mm PITCH PRE-DRILLED	CNMB/1/TG508	CNMB/2/TG508	CNMB/3/TG508	CNMB/4/TG508	CNMB/5/TG508	CNMB/3/TG508	CNMB/3/TG508	CNMB/3/TG508
		7.5mm PITCH PRE-DRILLED	CNMB/1/TG750	CNMB/2/TG750	CNMB/3/TG750	CNMB/4/TG750	CNMB/5/TG750	CNMB/3/TG750	CNMB/3/TG750	CNMB/3/TG750
		10.16mm PITCH PRE-DRILLED	CNMB/1/TG100	CNMB/2/TG100	CNMB/3/TG100	CNMB/4/TG100	CNMB/5/TG100	CNMB/3/TG100	CNMB/3/TG100	CNMB/3/TG100
		RJ45 5.08mm PITCH PERFORATED	-	-	CNMB/3/TGRJ45	-	-	CNMB/3/TGRJ45	CNMB/3/TGRJ45	CNMB/3/TGRJ45
	MINI USB 5.08mm PITCH PERFORATED	-	-	CNMB/3/TGMINIUSB	-	-	CNMB/3/TGMINIUSB	CNMB/3/TGMINIUSB	CNMB/3/TGMINIUSB	
	USB 5.08mm PITCH PERFORATED	-	-	CNMB/3/TGUSB	-	-	CNMB/3/TGUSB	CNMB/3/TGUSB	CNMB/3/TGUSB	
No. OF TERMINAL GUARDS REQUIRED	SINGLE ROW TERMINAL	1	1	1	1	1	2	3	4	
	DOUBLE ROW TERMINAL	2	2	2	2	2	4	6	8	

SELECT YOUR COVER

6	STANDARD COVERS	SOLID GREY	CNMB/1/PG	CNMB/2/PG	CNMB/3/PG	CNMB/4/PG	CNMB/5/PG	CNMB/6/PG	CNMB/9/PG	CNMB/12/PG
		CLEAR TRANSPARENT	CNMB/1/PC	CNMB/2/PC	CNMB/3/PC	CNMB/4/PC	CNMB/5/PC	CNMB/6/PC	CNMB/9/PC	CNMB/12/PC
		SMOKED TRANSPARENT	CNMB/1/PS	CNMB/2/PS	CNMB/3/PS	CNMB/4/PS	CNMB/5/PS	CNMB/6/PS	CNMB/9/PS	-
		RED TRANSPARENT	CNMB/1/PR	CNMB/2/PR	CNMB/3/PR	CNMB/4/PR	CNMB/5/PR	CNMB/6/PR	CNMB/9/PR	-
	CURVED COVERS	SOLID GREY	-	CNMB/2/PGC	CNMB/3/PGC	CNMB/4/PGC	CNMB/5/PGC	CNMB/6/PGC	CNMB/9/PGC	-
		CLEAR TRANSPARENT	-	CNMB/2/PCC	CNMB/3/PCC	CNMB/4/PCC	CNMB/5/PCC	CNMB/6/PCC	CNMB/9/PCC	-
		SMOKED TRANSPARENT	-	CNMB/2/PSC	CNMB/3/PSC	CNMB/4/PSC	CNMB/5/PSC	CNMB/6/PSC	CNMB/9/PSC	-
		RED TRANSPARENT	-	CNMB/2/PRC	CNMB/3/PRC	CNMB/4/PRC	CNMB/5/PRC	CNMB/6/PRC	CNMB/9/PRC	-

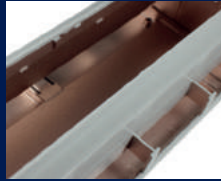
If you would like more advice on choosing the perfect CNMB for your project, then call our expert sales team on: 01638 716101

CUSTOMISATION

Make your CNMB stand out by utilising our professional customisation service. We'll deliver your CNMB machined and digitally printed, ready to assemble STRAIGHT OUT OF THE BOX! You can choose to customise your CNMB by machining cut-outs at our in-house machining centre. You can also choose custom colours, surface coating and RFI shielding, as well as engraving and digital/screen printing.



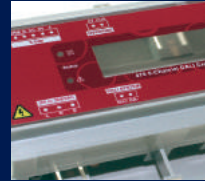
Bespoke colours



Conductive coating



Drilling and milling



Printing

APPLICATIONS

Our CNMB DIN Rail modular enclosures are ideal for DIN Rail systems in a wide variety of industries.

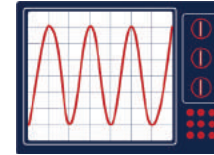
Applications include, power breakers, HVAC, network interfaces, IoT devices, condition monitors and bus systems.



INDUSTRIAL CONTROL



HOME AUTOMATION



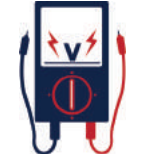
INSTRUMENTATION



COMMUNICATIONS



HVAC



POWER MANAGEMENT

ASSOCIATED PRODUCTS

X series - heavy duty electrical enclosures

The toughest electronics and electrical housing we have offered to date. The X series range are the ultimate enclosures for DIN Rail mounted components (particularly the CNMB). Compliant to IP67 and IK08 impact resistance, the series provides the protection needed for rugged and harsh environments.

These heavy-duty enclosures are designed to protect.



Terminal blocks

We offer a perfect balance of quality products suitable for a variety of industry sectors, where 'wire to board' or 'wire to wire' is required. Holding compliant certification and covering pitch sizes from 2.5mm up to 10.16mm in a selection of profiles. Multiple options are available such as, standard wire to board, pluggable and screwless terminal blocks. Visit www.camdenboss.com/cnmb to find out which terminal block will be best suited for your CNMB.



Interface modules

These ready-made interfaces are equipped to take on networking requirements. They simplify data and power management whilst mounting within your product's DIN Rail design.

Options include USB, fused, relay and IDC connectors.



Interface supports (CIME)

CIME interface supports allow you the freedom to create your own custom PCB module that is directly mountable to a DIN Rail system.

Made-to-measure custom size lengths are available to support larger PCBs. In turn, the modular option supports your industry sized requirements, providing a flexible 'add on' option, as your IoT system design evolves.

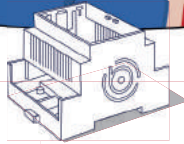


KEY CNMB FEATURES



DID YOU KNOW...

The CNMB DIN Rail enclosure provides you with the tools to custom build it to your exact requirements. Giving you the option of different lengths, tops, walls, guards and PCB positions, the CNMB is as flexible as you need it to be.



Key features:

- Snap fit modular enclosure series offering widest versatility in its class
- Comprehensive and flexible range built up of multiple length options
- Modular style terminal guards and top covers
- Holds up to 3 horizontal or 2 vertical PCBs
- The extended height accessory adds a further horizontal position
- Chassis, wall and DIN Rail mounting
- Can be supplied as kits
- Easily customisable
- Perfect for networking, IoT devices, power management or automation

BROWSE THE FULL CNMB RANGE AT WWW.CAMDENBOSS.COM/CNMB

AXXATRONIC GmbH
German Distributor of
CamdenBoss Ltd

Alemannenstr. 10
71296 Heimsheim
Germany

Tel: +49 7033 46661-0
email: sales@axxatronic.de
www.axxatronic.de

