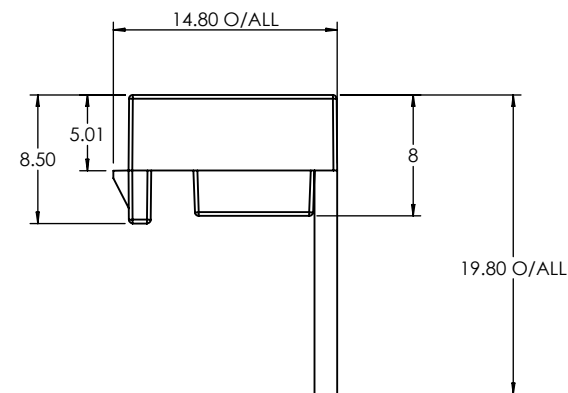
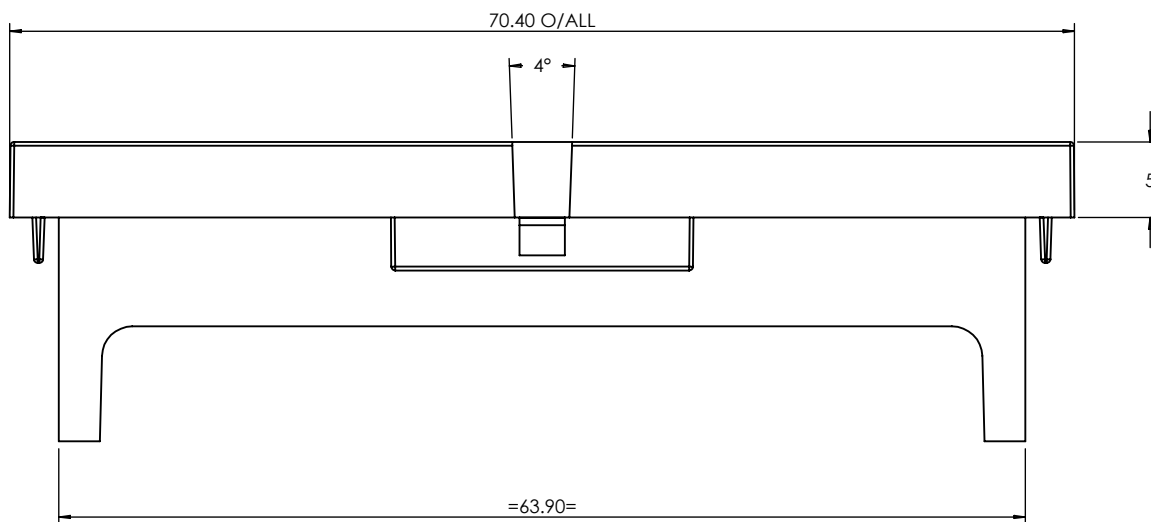


ISO VIEW
3:2



CAMDENBOSS
ELECTRONICS & ENCLOSURES
JAMES CARTER RD, MILDENHALL, SUFFOLK. IP28 7DE
TEL: 01638 716101 FAX: 01638 716554
EMAIL: Sales@CamdenBoss.com
WEB: www.CamdenBoss.com

UNLESS OTHERWISE SPECIFIED:
DIMENSIONS ARE IN MILLIMETERS

GENERAL TOLERANCES +/- 0.2

FINISH. LIGHT SPARK

MATERIAL. PA UL 94 - V0

PROJECTION.

DO NOT SCALE DRAWING

REVISION.

TITLE:
DIMENSION DRAWING FOR
CNMB/4/TG508

DWG NO. **cnmb-4-TG508**

A4

SCALE: 2:1

SHEET 1 OF 1

	NAME	SIGNED	DATE
DRAWN	IAN PAGANO	I.P.	23/06/14
CHKD	-	-	-