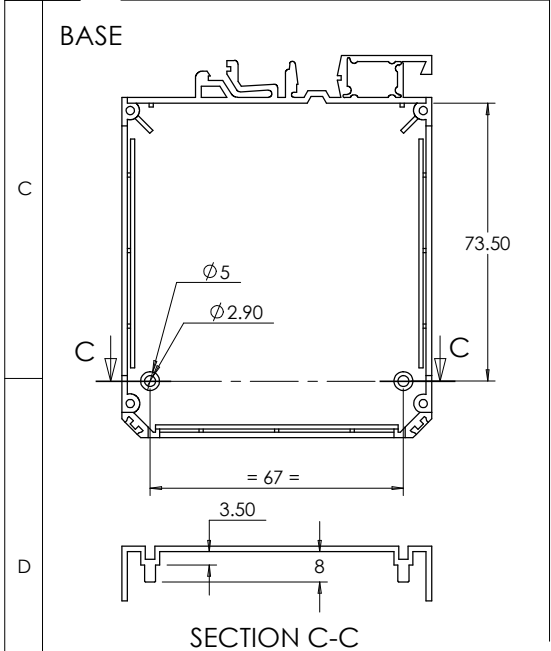
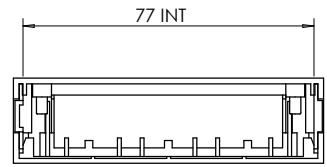
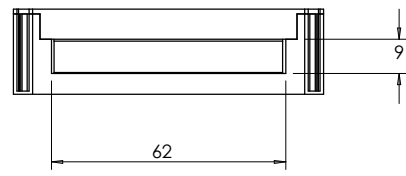


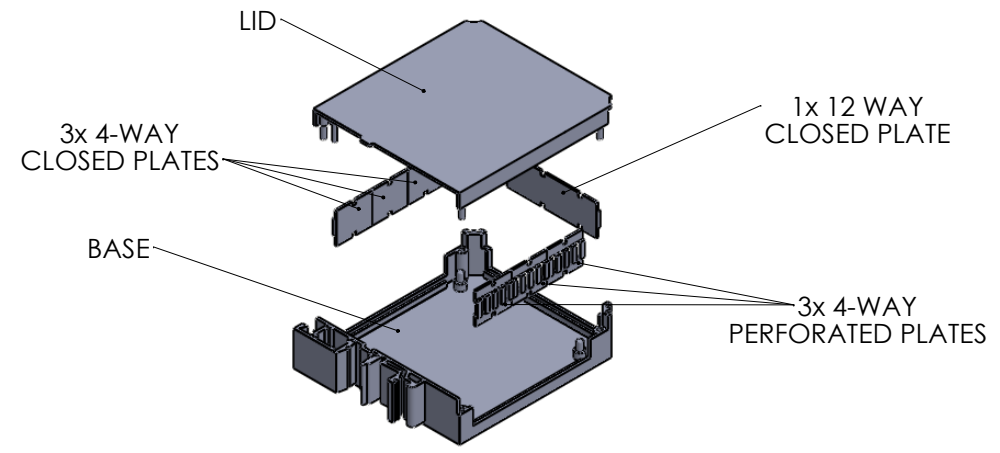
SECTION B-B



SECTION C-C



SECTION A-A



		UNLESS OTHERWISE SPECIFIED: DIMENSIONS ARE IN MILLIMETERS		DO NOT SCALE DRAWING	REVISION: 0
		GENERAL TOLERANCES +/- 0.2		TITLE: GENERAL ASSY DRAWING FOR CVB SERIES	
40 JAMES CARTER RD. WILDENHALL SUFFOLK, IP28 7DE EMAIL: SALES@CAMDENBOSS.COM TEL: 01638 716101 FAX: 01638 716554 WEB: WWW.CAMDENBOSS.COM		FINISH: FINE TEXTURE		DWG NO. CVB225 KIT	
DRAWN	NAME: SUBKHANKULOVA	SIGNED: LS	DATE: 25/03/11	SCALE: 1:2	
CHK'D	NAME: LUKASZ DROBKA	SIGNED: LD	DATE: 25/03/11	PROJECTION:	SHEET 1 OF 1

A4