

ASSEMBLY SHOWS BOTH:
RUBBER FEET AND BRACKET OPTION
NOT INCLUDED IN STANDARD PRODUCT

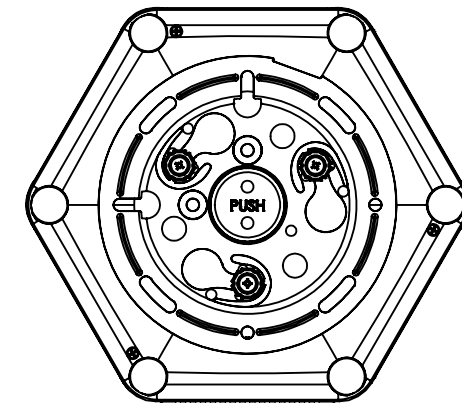
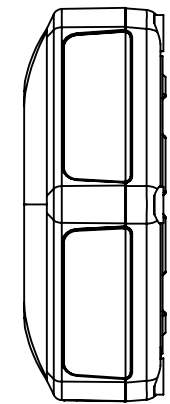
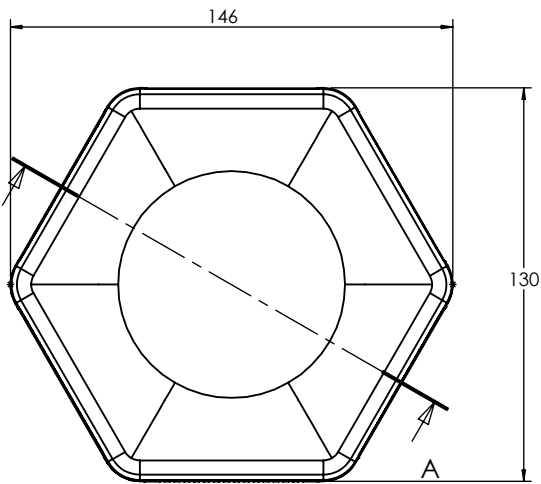
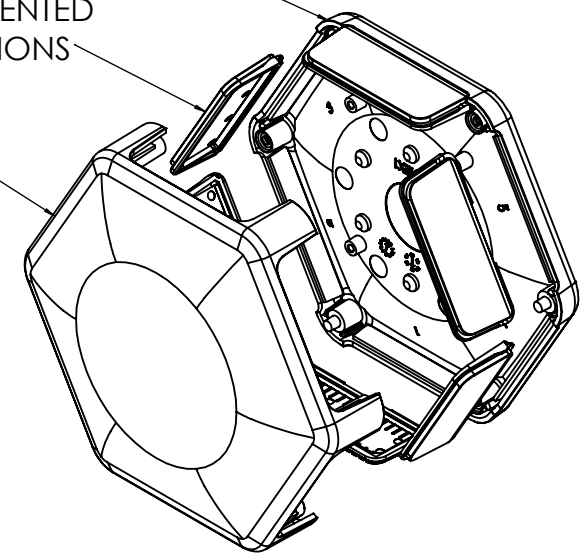
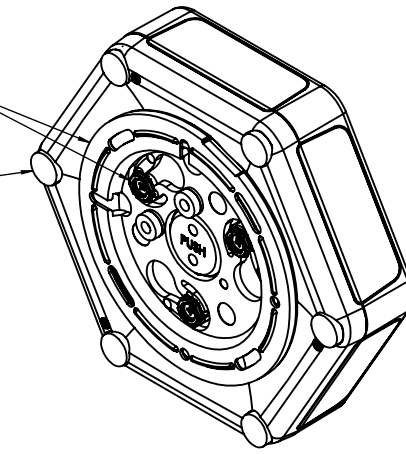
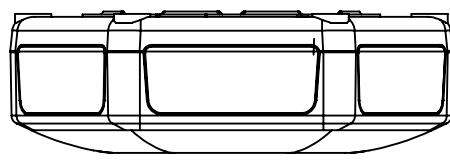
SOLID and VENTED
PANEL OPTIONS

BASE

TOP

WALL MOUNT BRACKET
& MOUNTING NUTS

RUBBER FEET



COLOUR:	RAL:
BLACK	9005
GREY	7047
WHITE	9003

CAMDENBOSS
CONNECT. ENCLOSE. INNOVATE.

JAMES CARTER RD, MILDENHALL, SUFFOLK. IP28 7DE
TEL: 01638 716101 FAX: 01638 716554
EMAIL: Sales@CamdenBoss.com
WEB: www.CamdenBoss.com

UNLESS OTHERWISE SPECIFIED:
DIMENSIONS ARE IN MILLIMETERS

FINISH:
TEXTURED TO VDI 30

COLOUR:
SEE TABLE

GENERAL TOLERANCES +/- 0.2

REVISION: **A**

TITLE: **DRAWING FOR HEX BOX**

	NAME	SIGNED	DATE
DRAWN	IAN PAGANO	I.P.	01/010/19
CHKD	-	-	-

MATERIAL:
ABS

PROJECTION:

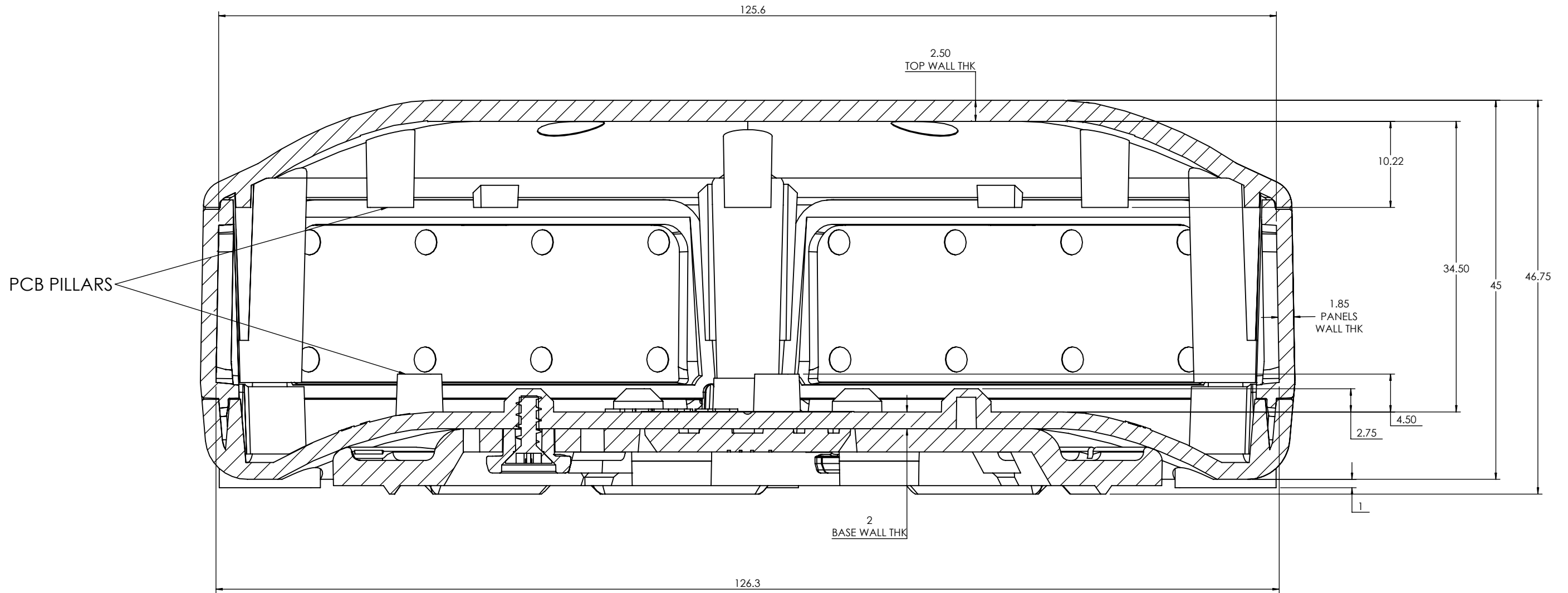
DWG NO. **CBHEX** **A4**

SCALE: 2:5


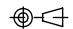
SHEET 1 OF 4

DO NOT SCALE DRAWING

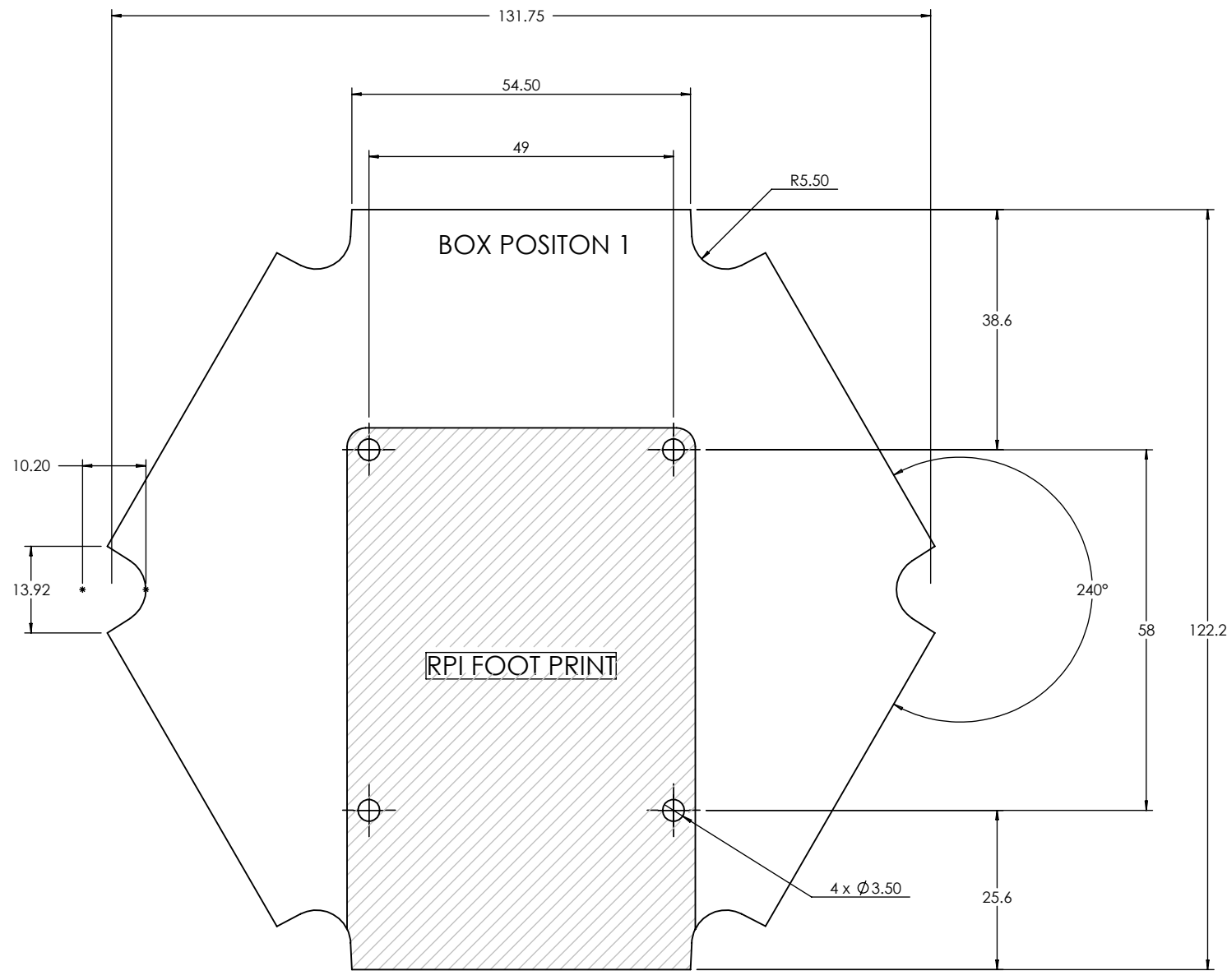
ASSEMBLY SHOWS BOTH:
RUBBER FEET AND BRACKET OPTION
NOT INCLUDED IN STANDARD PRODUCT




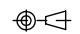
SECTION A-A
SCALE 2 : 1

 CAMDENBOSS <small>CONNECT. ENCLOSE. INNOVATE.</small>	COLOUR: SEE TABLE	DEBURR AND BREAK SHARP EDGES	DO NOT SCALE DRAWING	SCALE: 2:5 <small>SHEET 2 OF 4</small>
	FINISH: TEXTURED TO VDI 30	TITLE: DRAWING FOR HEX BOX		
DRAWING UNITS: MILLIMETERS TOLERANCES: +/-0.2	PROJECTION 	MATERIAL: ABS	DWG NO. CBHEX	A3

BASE PCB DIMENSIONS



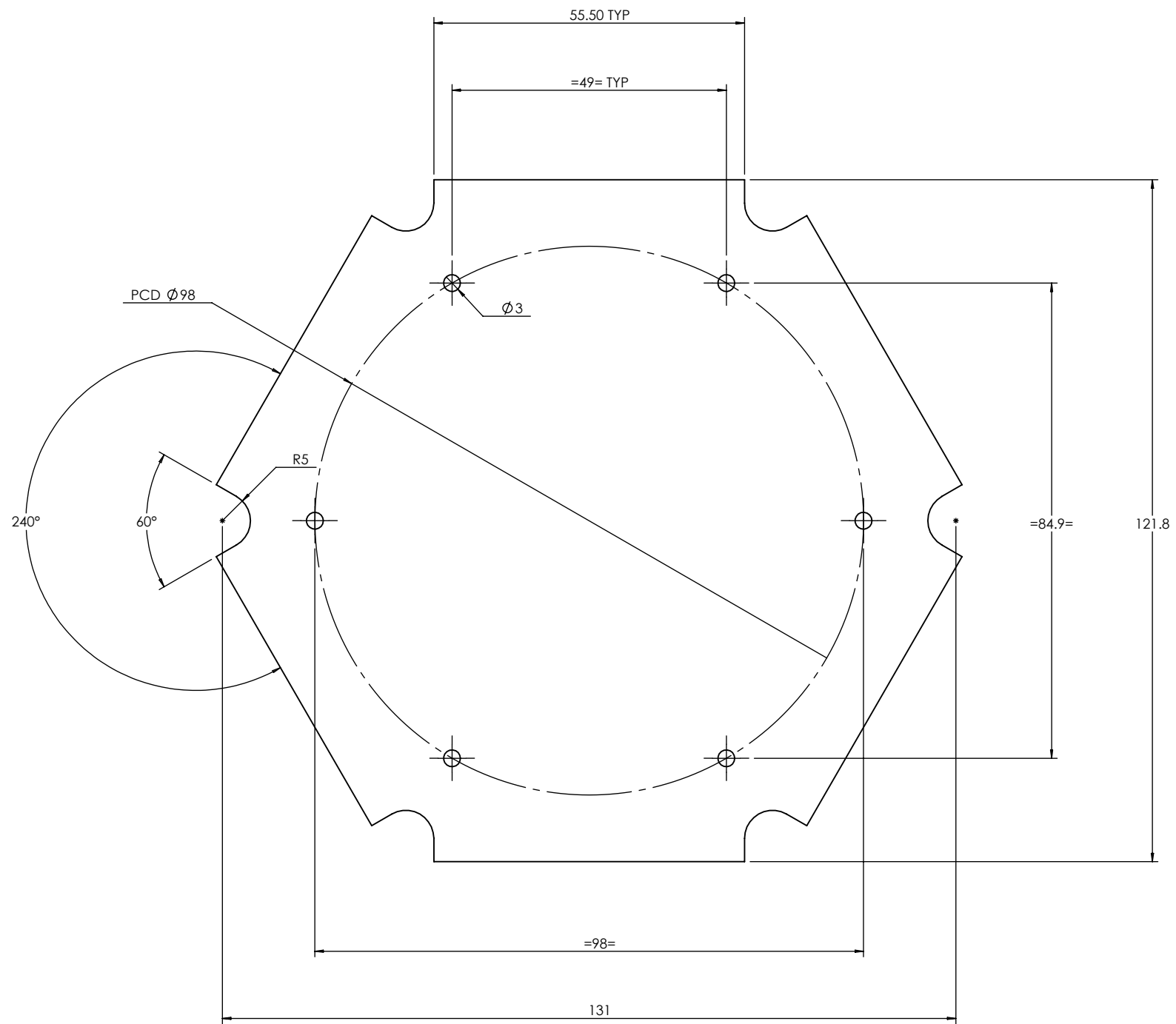
NOTE: PCB FIXINGS ARE OFF CENTRE, TO SUIT RASPBERRY PI

 CAMDENBOSS <small>CONNECT. ENCLOSE. INNOVATE.</small>	COLOUR: SEE TABLE	DEBURR AND BREAK SHARP EDGES	DO NOT SCALE DRAWING	SCALE: 2:5 SHEET 3 OF 4
	FINISH: TEXTURED TO VDI 30	TITLE: DRAWING FOR HEX BOX		
DRAWING UNITS: MILLIMETERS TOLERANCES: +/-0.2	PROJECTION 	MATERIAL: ABS	DWG NO. CBHEX	A3

8 7 6 5 4 3 2 1


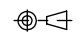
F
E
D
C
B
A

TOP PCB DIMENSIONS



F
E
D
C
B
A

8 7 6 5 4 3 2 1

 CAMDENBOSS <small>CONNECT. ENCLOSE. INNOVATE.</small>	COLOUR: SEE TABLE	DEBURR AND BREAK SHARP EDGES	DO NOT SCALE DRAWING	SCALE: 2:5 SHEET 4 OF 4
	FINISH: TEXTURED TO VDI 30	TITLE: DRAWING FOR HEX BOX		
DRAWING UNITS: MILLIMETERS TOLERANCES: +/-0.2	PROJECTION 	MATERIAL: ABS	DWG NO. CBHEX	A3