

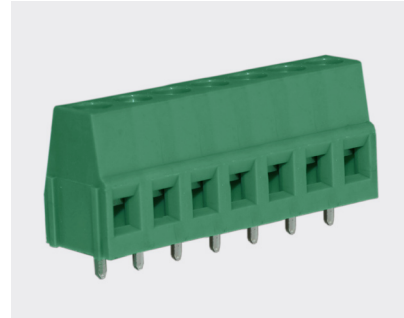


5mm pitch standard profile rising clamp terminal blocks

Product overview

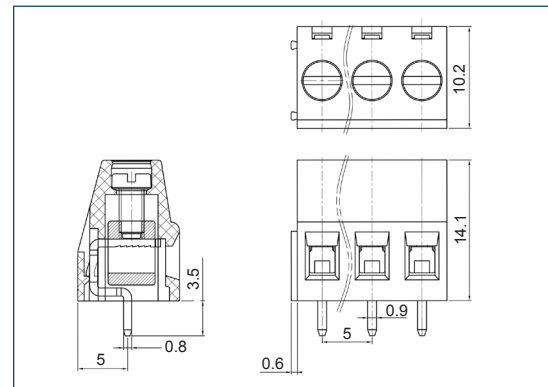
- 2 and 3 pole double Interlocking mechanism for increased strength
- Professional rising clamp terminals
- Standard profile
- Moulded in green UL94-V0 flame retardant PA66
- Cable acceptance - 0.6-2mm² (22-12AWG)
- Guided pin alignment
- approved

CTBP0100



SPECIFICATION	
Rating	UL=16A/300V, VDE=20A/250V
Insulation resistance	500M Ω /500V
Withstand voltage	AC2000V/1min
Contact resistance	20m Ω (max)
Working temperature	-40°C to +105°C
Moulding	UL94-V0 flame retardant PA66
Pin/terminal	Tin plated brass
Rising clamp	Brass, nickel plated
Screw/torque	M2.5 steel, zinc plated 0.4Nm
Recommended PCB hole size	ϕ 1.5mm

PART NO.	POLES	LENGTH
CTBP0100/2	2	10mm
CTBP0100/3	3	15mm
CTBP0100/4	4	20mm
CTBP0100/5	5	25mm
CTBP0100/6	6	30mm
CTBP0100/7	7	35mm
CTBP0100/8	8	40mm
CTBP0100/9	9	45mm
CTBP0100/10	10	50mm
CTBP0100/11	11	55mm
CTBP0100/12	12	60mm



KEY FEATURES

Professional rising clamp | Double interlock mechanism | Standard profile

