



002

PCB TERMINAL
BLOCKS

081

TERMINAL STRIPS

095

WIRE TO BOARD
CONNECTORS

100

CIRCULAR
CONNECTORS

151


IP68 CONNECTORS

158

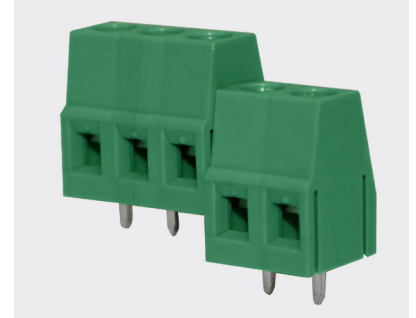
INTERFACE
MODULES AND
RELAY BASES

5.08mm pitch standard profile rising clamp terminal blocks

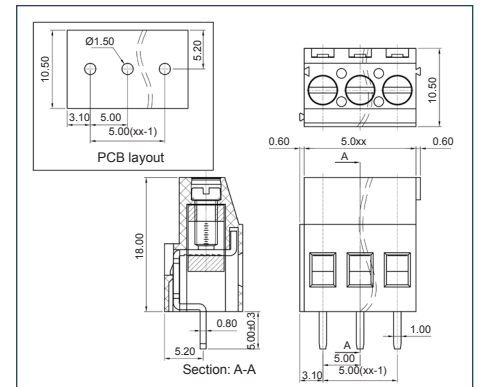
Product overview

- 2 and 3 pole double interlocking mechanism for increased strength
- Moulded in green UL94-V0 flame retardant PA
- Cable acceptance - 0.3-3.31mm² (22-12AWG)
- Professional rising clamp terminals
- Guided pin alignment
- Captive screws
-  approved

CTBP0108



SPECIFICATION		PART NO.	POLES	LENGTH
Rating	16A / 300V	CTBP0108/2	2	10.16mm
Insulation resistance	500MΩ / 500V	CTBP0108/3	3	15.24mm
Withstand voltage	AC1600V / 1min	CTBP0108/4	4	20.32mm
Contact resistance	20mΩ (max)	CTBP0108/5	5	25.4mm
Working temperature	-40°C to +105°C	CTBP0108/6	6	30.48mm
Moulding	UL94-V0 flame retardant PA	CTBP0108/7	7	35.56mm
Pin/terminal	Tin plated brass	CTBP0108/8	8	40.64mm
Rising clamp	Nickel plated brass	CTBP0108/9	9	45.72mm
Screw/torque	M2.5 steel, zinc plated / 0.4Nm	CTBP0108/10	10	50.8mm
Recommended PCB hole size	Ø1.5mm	CTBP0108/11	11	55.88mm
		CTBP0108/12	12	60.96mm



KEY FEATURES

Standard profile | Double interlock mechanism | Rising clamp terminals

