

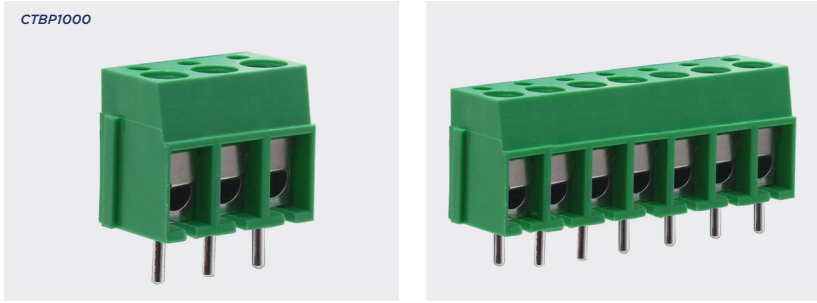


# 5mm pitch standard profile screw terminal blocks

## Product overview

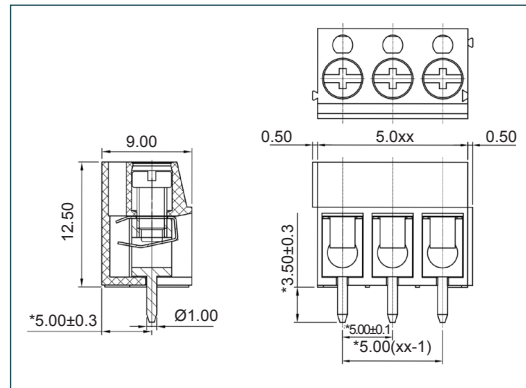
- 2 and 3 pole interlocking
- Wire protector terminals
- Standard profile
- Moulded in UL94-V0 flame retardant PA66
- Cable acceptance - 0.6-1.6mm<sup>2</sup> (22-14AWG)
- Guided pin alignment
- Anti solder wicking terminals
- approved

CTBPI000



SPECIFICATION	
Rating	UL=16A/300V, VDE=24A/250V
Insulation resistance	500M $\Omega$ /500V
Withstand voltage	AC2000V/1min
Contact resistance	20m $\Omega$ (max)
Working temperature	-40°C to +105°C
Moulding	UL94-V0 flame retardant PA66
Pin/terminal	Tin plated brass
Wire protector	Phosphor bronze, nickel plated
Screw/torque	M2.5 steel, zinc plated 0.4Nm
Recommended PCB hole size	$\phi$ 1.5mm

PART NO.	POLES	LENGTH
CTBPI000/2	2	10mm
CTBPI000/3	3	15mm
CTBPI000/4	4	20mm
CTBPI000/5	5	25mm
CTBPI000/6	6	30mm
CTBPI000/7	7	35mm
CTBPI000/8	8	40mm
CTBPI000/9	9	45mm
CTBPI000/10	10	50mm
CTBPI000/11	11	55mm
CTBPI000/12	12	60mm



## KEY FEATURES

Wire protector terminals | Interlock mechanism | Standard profile

