

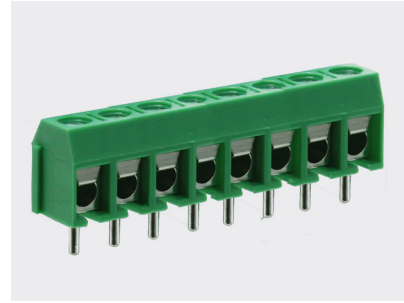


5mm pitch low profile screw terminal blocks

Product overview

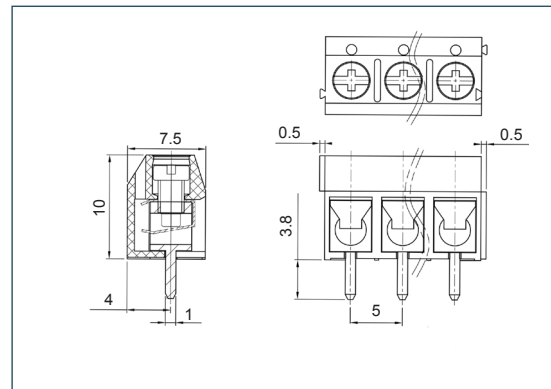
- 2 and 3 pole interlocking
- Wire protector terminals
- Low profile
- Moulded in green UL94-V0 flame retardant PA66
- Cable acceptance - 0.6-1.6mm² (22-14AWG)
- Guided pin alignment
- Test probe facility
- Anti solder wicking terminal
- , approved

CTBP5000



SPECIFICATION	
Rating	UL=16A/250V, VDE=24A/250V
Insulation resistance	500M Ω /500V
Withstand voltage	AC2000V/1min
Contact resistance	20m Ω (max)
Working temperature	-40°C to +105°C
Moulding	UL94-V0 flame retardant PA66
Pin/terminal	Tin plated brass
Wire protector	Phosphor bronze, nickel plated
Screw/torque	M2.5 steel, zinc plated 0.4Nm
Recommended PCB hole size	\varnothing 1.2mm

PART NO.	POLES	LENGTH
CTBP5000/2	2	10mm
CTBP5000/3	3	15mm
CTBP5000/4	4	20mm
CTBP5000/5	5	25mm
CTBP5000/6	6	30mm
CTBP5000/7	7	35mm
CTBP5000/8	8	40mm
CTBP5000/9	9	45mm
CTBP5000/10	10	50mm
CTBP5000/11	11	55mm
CTBP5000/12	12	60mm



KEY FEATURES

Wire protector terminals | Interlock mechanism | Flame retardant PA66

