



5.08mm pitch pluggable rising clamp terminal blocks

Product overview

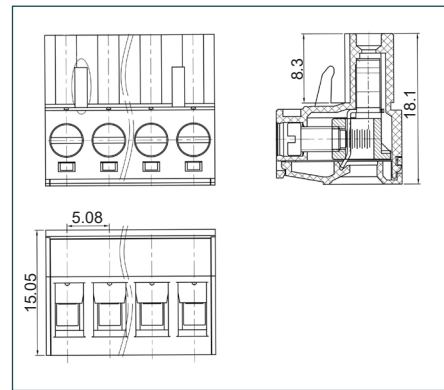
- 2-24 pole solid block
- Professional rising clamp terminals
- Moulded in green UL94-V0 flame retardant PA66
- Cable acceptance - 0.32 to 1.6mm² (28-14AWG) solid and stranded cable
- Pluggable male and female connectors
- Open and closed headers
- Horizontal and vertical female plug styles
- Polarised mouldings
- Anti solder wicking
- Captive screws and guided pin alignment
- , approved

SPECIFICATION

| | |
|---------------------------|------------------------------|
| Rating | UL=15A/300V, VDE=20A/450V |
| Insulation resistance | 500M Ω/500V |
| Withstand voltage | AC2000V/1min |
| Contact resistance | 20mΩ (max) |
| Working temperature | -40°C to +105°C |
| Mouldings | UL94-V0 flame retardant PA66 |
| Pin/terminal | Tin plated brass |
| Rising clamp | Brass, nickel plated |
| Screw/torque | M3 steel, zinc plated 0.5Nm |
| Recommended PCB hole size | ø1.7mm |

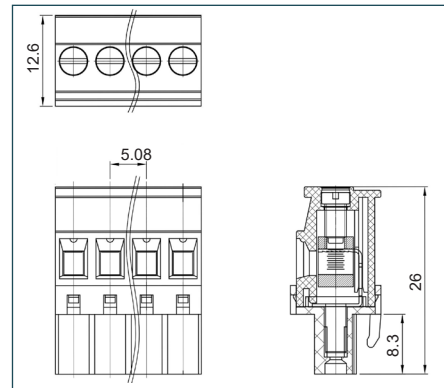
Female connector

| PART NO. | POLES | LENGTH |
|-------------|-------|--------|
| CTBP9208/2 | 2 | 10.2mm |
| CTBP9208/3 | 3 | 15.2mm |
| CTBP9208/4 | 4 | 20.3mm |
| CTBP9208/5 | 5 | 25.4mm |
| CTBP9208/6 | 6 | 30.5mm |
| CTBP9208/7 | 7 | 35.6mm |
| CTBP9208/8 | 8 | 40.6mm |
| CTBP9208/9 | 9 | 45.7mm |
| CTBP9208/10 | 10 | 50.8mm |
| CTBP9208/11 | 11 | 55.9mm |
| CTBP9208/12 | 12 | 61mm |

CTBP9208

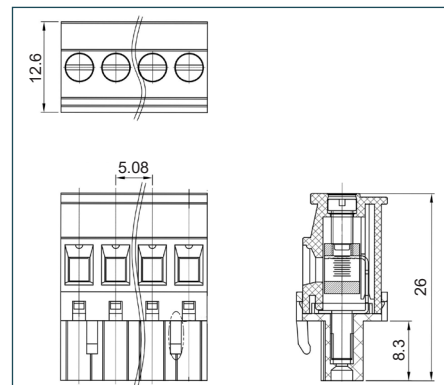
Female vertical connector (standard)

| PART NO. | POLES | LENGTH |
|--------------|-------|--------|
| CTBP92VJ/2S | 2 | 10.2mm |
| CTBP92VJ/3S | 3 | 15.2mm |
| CTBP92VJ/4S | 4 | 20.3mm |
| CTBP92VJ/5S | 5 | 25.4mm |
| CTBP92VJ/6S | 6 | 30.5mm |
| CTBP92VJ/7S | 7 | 35.6mm |
| CTBP92VJ/8S | 8 | 40.6mm |
| CTBP92VJ/9S | 9 | 45.7mm |
| CTBP92VJ/10S | 10 | 50.8mm |
| CTBP92VJ/11S | 11 | 55.9mm |
| CTBP92VJ/12S | 12 | 61mm |

CTBP92VJ S

Female vertical connector (reversed)

| PART NO. | POLES | LENGTH |
|--------------|-------|--------|
| CTBP92VJ/2R | 2 | 10.2mm |
| CTBP92VJ/3R | 3 | 15.2mm |
| CTBP92VJ/4R | 4 | 20.3mm |
| CTBP92VJ/5R | 5 | 25.4mm |
| CTBP92VJ/6R | 6 | 30.5mm |
| CTBP92VJ/7R | 7 | 35.6mm |
| CTBP92VJ/8R | 8 | 40.6mm |
| CTBP92VJ/9R | 9 | 45.7mm |
| CTBP92VJ/10R | 10 | 50.8mm |
| CTBP92VJ/11R | 11 | 55.9mm |
| CTBP92VJ/12R | 12 | 61mm |

CTBP92VJ R



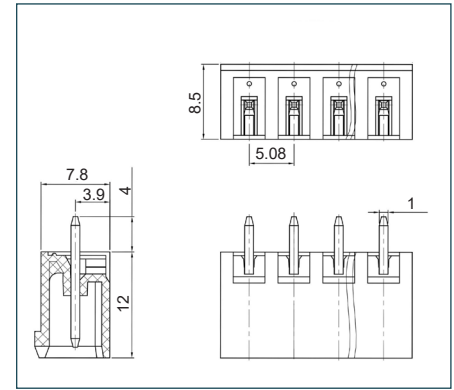
002

PCB TERMINAL
BLOCKS

PCB mounting male vertical connector (closed ended)

| PART NO. | POLES | LENGTH |
|-------------|-------|--------|
| CTBP9308/2 | 2 | 11.6mm |
| CTBP9308/3 | 3 | 16.6mm |
| CTBP9308/4 | 4 | 21.7mm |
| CTBP9308/5 | 5 | 26.8mm |
| CTBP9308/6 | 6 | 31.9mm |
| CTBP9308/7 | 7 | 37.0mm |
| CTBP9308/8 | 8 | 42.0mm |
| CTBP9308/9 | 9 | 47.1mm |
| CTBP9308/10 | 10 | 52.2mm |
| CTBP9308/11 | 11 | 57.3mm |
| CTBP9308/12 | 12 | 62.4mm |

CTBP9308



081

TERMINAL STRIPS

095

WIRE TO BOARD
CONNECTORS

100

CIRCULAR
CONNECTORS

151

IP68 CONNECTORS

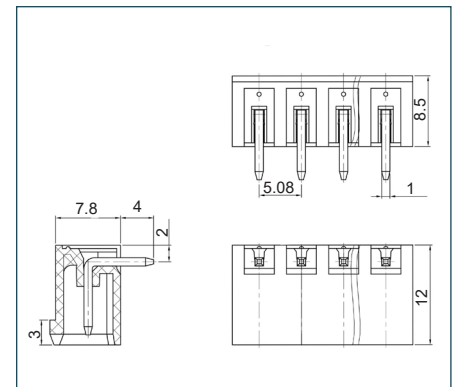
158

INTERFACE
MODULES AND
RELAY BASES

PCB mounting male horizontal connector (closed ended)

| PART NO. | POLES | LENGTH |
|-------------|-------|--------|
| CTBP9358/2 | 2 | 11.6mm |
| CTBP9358/3 | 3 | 16.6mm |
| CTBP9358/4 | 4 | 21.7mm |
| CTBP9358/5 | 5 | 26.8mm |
| CTBP9358/6 | 6 | 31.9mm |
| CTBP9358/7 | 7 | 37.0mm |
| CTBP9358/8 | 8 | 42.0mm |
| CTBP9358/9 | 9 | 47.1mm |
| CTBP9358/10 | 10 | 52.2mm |
| CTBP9358/11 | 11 | 57.3mm |
| CTBP9358/12 | 12 | 62.4mm |

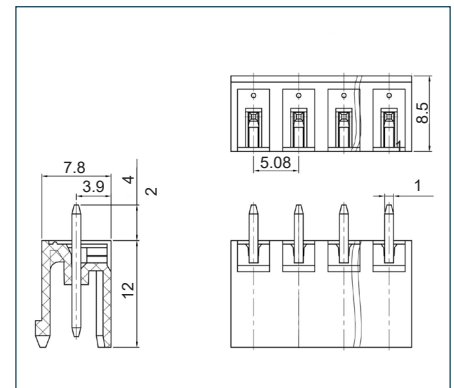
CTBP9358



PCB mounting male vertical connector (open ended)

| PART NO. | POLES | LENGTH |
|---------------|-------|--------|
| CTBP9308/2AO | 2 | 10.2mm |
| CTBP9308/3AO | 3 | 15.2mm |
| CTBP9308/4AO | 4 | 20.3mm |
| CTBP9308/5AO | 5 | 25.4mm |
| CTBP9308/6AO | 6 | 30.5mm |
| CTBP9308/7AO | 7 | 35.6mm |
| CTBP9308/8AO | 8 | 40.6mm |
| CTBP9308/9AO | 9 | 45.7mm |
| CTBP9308/10AO | 10 | 50.8mm |
| CTBP9308/11AO | 11 | 55.9mm |
| CTBP9308/12AO | 12 | 61mm |

CTBP9308 AO



PCB mounting male horizontal connector (open ended)

| PART NO. | POLES | LENGTH |
|---------------|-------|--------|
| CTBP9358/2AO | 2 | 10.2mm |
| CTBP9358/3AO | 3 | 15.2mm |
| CTBP9358/4AO | 4 | 20.3mm |
| CTBP9358/5AO | 5 | 25.4mm |
| CTBP9358/6AO | 6 | 30.5mm |
| CTBP9358/7AO | 7 | 35.6mm |
| CTBP9358/8AO | 8 | 40.6mm |
| CTBP9358/9AO | 9 | 45.7mm |
| CTBP9358/10AO | 10 | 50.8mm |
| CTBP9358/11AO | 11 | 55.9mm |
| CTBP9358/12AO | 12 | 61mm |

CTBP9358 AO

