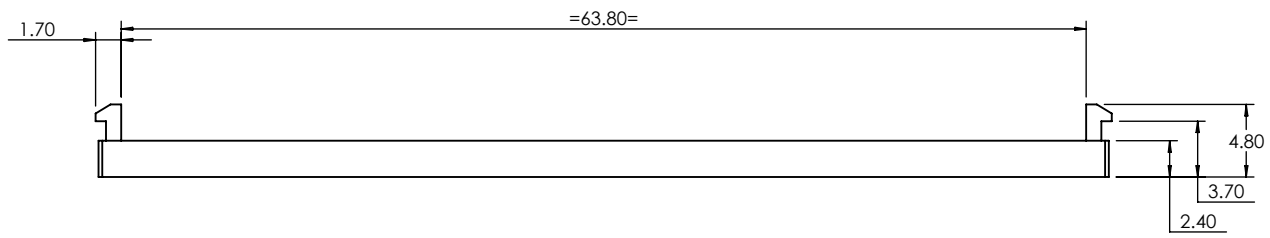


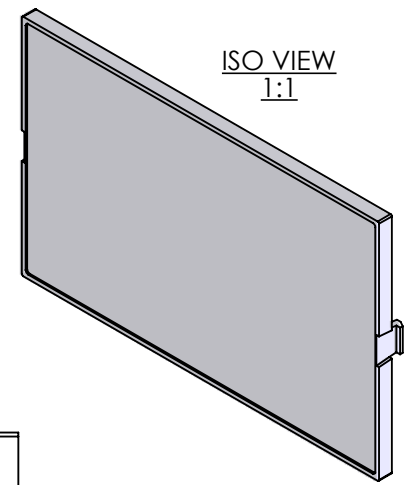
1 2 3 4 5 6

A

A

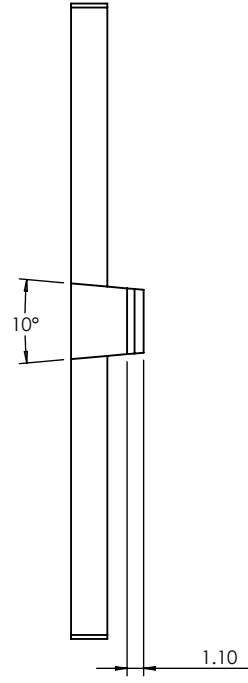
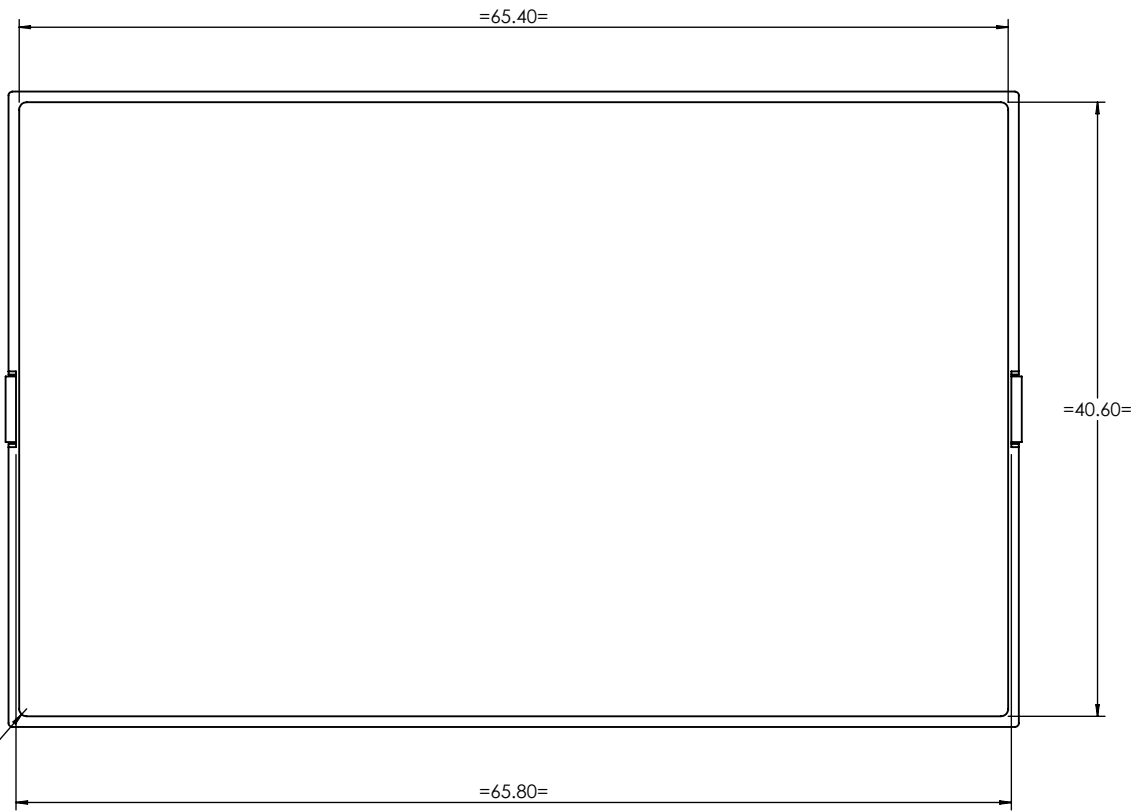


ISO VIEW  
1:1



B

B



C

C

R0.50

D

D

**CAMDENBOSS**  
ELECTRONICS & ENCLOSURES

JAMES CARTER RD, MILDENHALL, SUFFOLK. IP28 7DE  
TEL: 01638 716101 FAX: 01638 716554  
EMAIL: Sales@CamdenBoss.com  
WEB: www.CamdenBoss.com

UNLESS OTHERWISE SPECIFIED:  
DIMENSIONS ARE IN MILLIMETERS

GENERAL TOLERANCES +/- 0.2

FINISH. GLOSS

MATERIAL. PC UL 94 - V0

DO NOT SCALE DRAWING

REVISION.

TITLE:  
**DIMENSION DRAWING FOR CNMB /4/PS**

DWG NO. **CNMB-4-PS**

	NAME	SIGNED	DATE
DRAWN	IAN PAGANO	I.P.	20/06/114
CHKD	-	-	-

PROJECTION.

SCALE: 2:1

SHEET 1 OF 1

A4

1 2 3