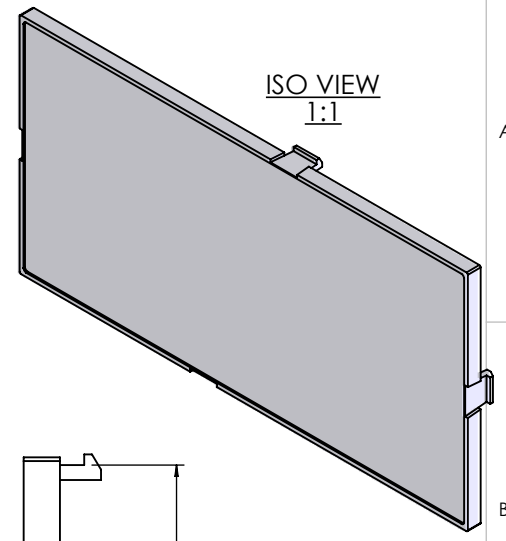
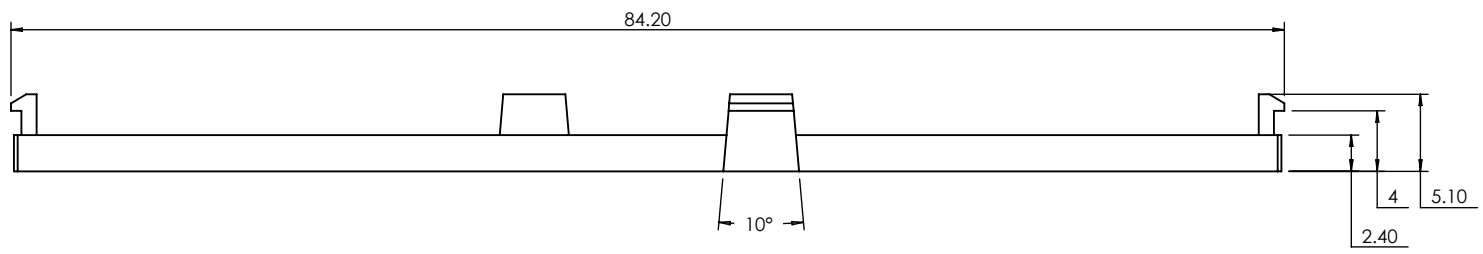
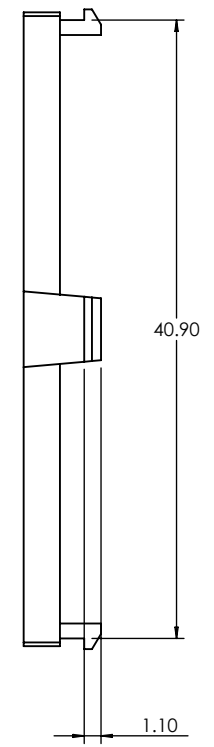
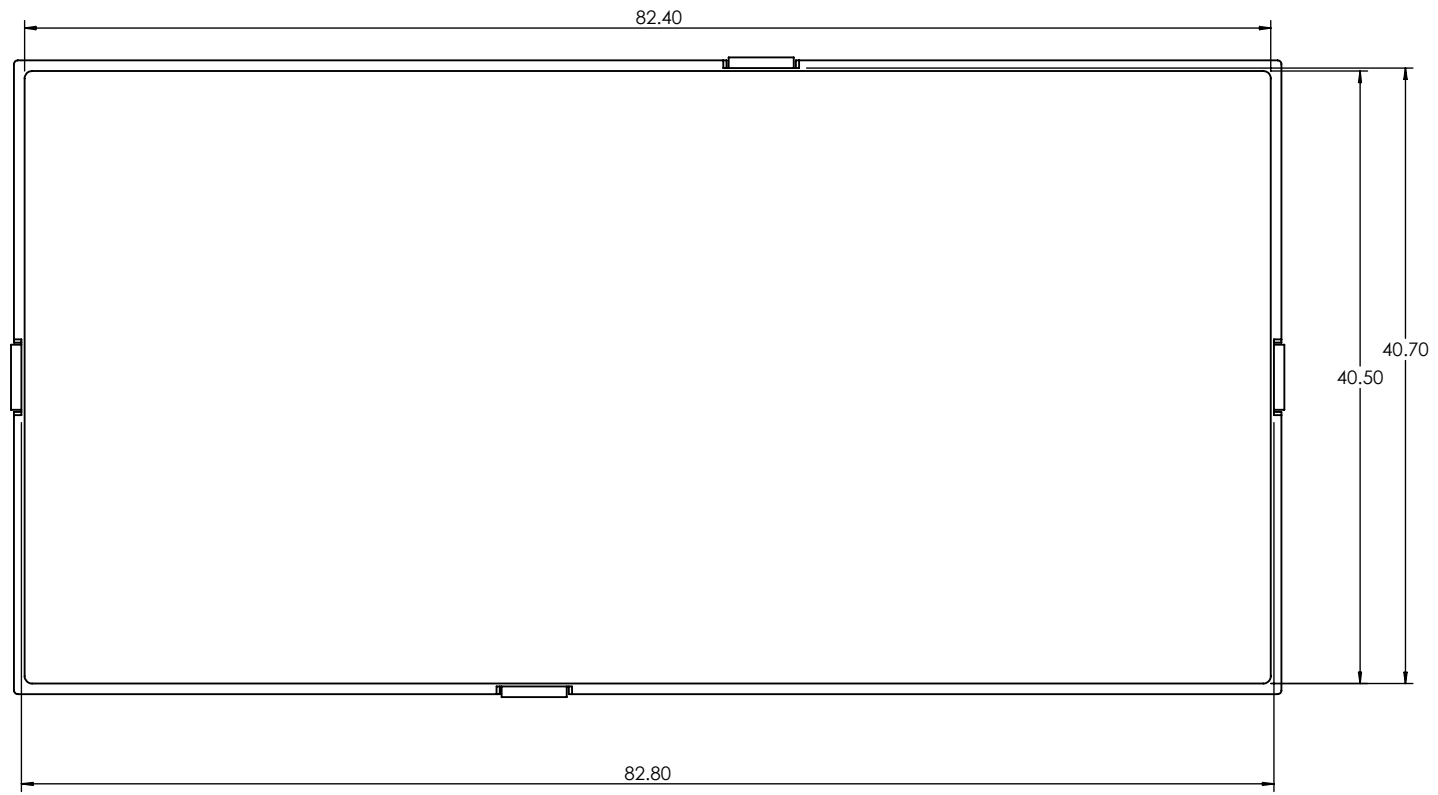


1 2 3 4 5 6

A



B



C

D

**CAMDENBOSS**  
ELECTRONICS & ENCLOSURES  
JAMES CARTER RD, MILDENHALL, SUFFOLK. IP28 7DE  
TEL: 01638 716101 FAX: 01638 716554  
EMAIL: Sales@CamdenBoss.com  
WEB: www.CamdenBoss.com

UNLESS OTHERWISE SPECIFIED:  
DIMENSIONS ARE IN MILLIMETERS  
GENERAL TOLERANCES +/- 0.2  
FINISH. GLOSS

DO NOT SCALE DRAWING REVISION.   
TITLE:  
DIMENSION DRAWING FOR CNMB  
/5/PR

	NAME	SIGNED	DATE
DRAWN	IAN PAGANO	I.P.	20/06/114
CHKD	-	-	-

MATERIAL. PC UL 94 - V0  
PROJECTION.

DWG NO. CNMB-5-PR A4  
SCALE: 2:1 SHEET 1 OF 1

1 2 3