

1 2 3 4 5 6

A

A

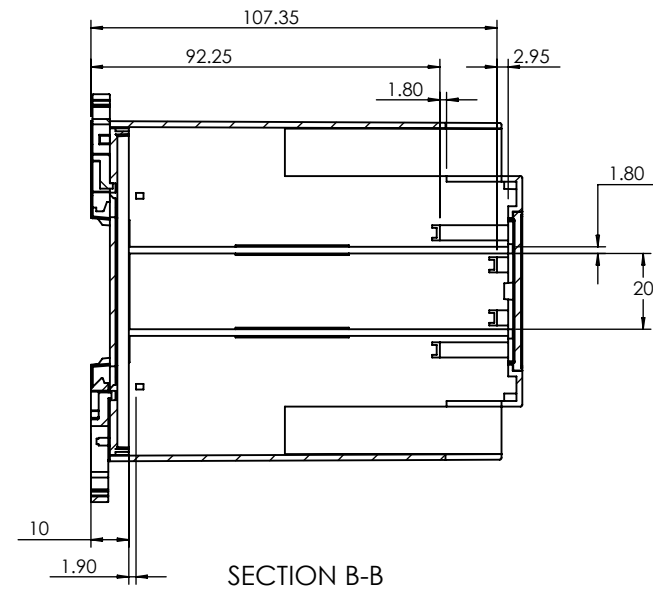
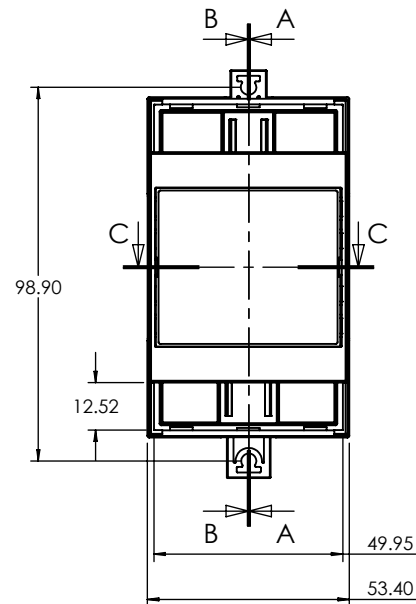
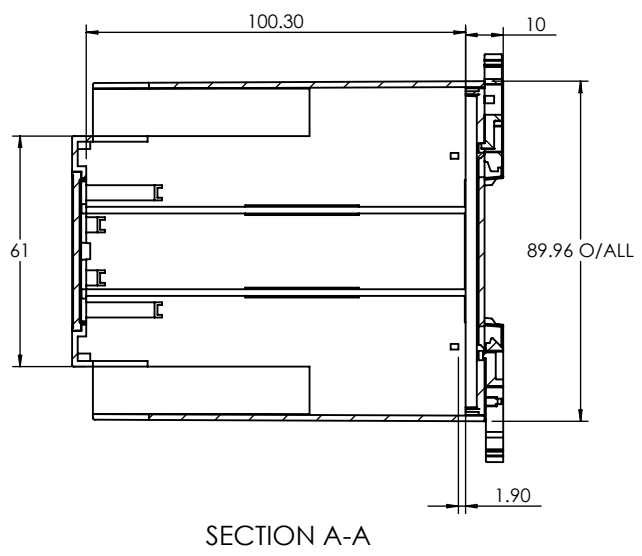
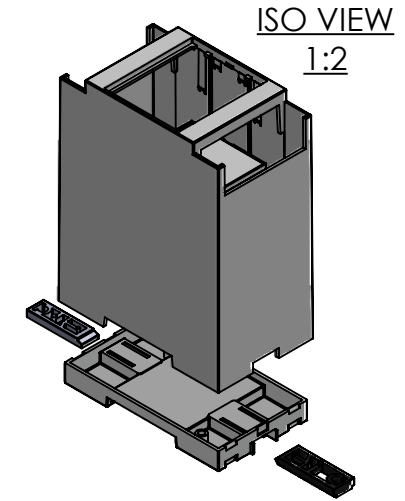
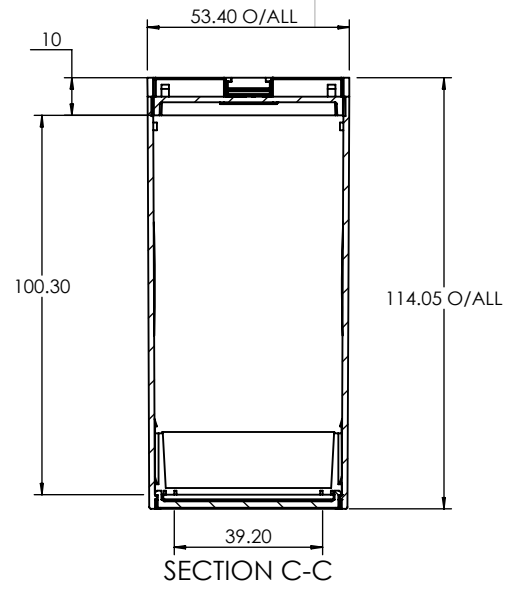
B

B

C

C

D



DIN CLIPS ARE SHOWN IN WALL MOUNTING POSITION

 JAMES CARTER RD, MILDENHALL, SUFFOLK. IP28 7DE TEL: 01638 716101 FAX: 01638 716554 EMAIL: Sales@CamdenBoss.com WEB: www.CamdenBoss.com			UNLESS OTHERWISE SPECIFIED: DIMENSIONS ARE IN MILLIMETERS		GENERAL TOLERANCES +/- 0.2		REVISION. <input type="radio"/>	
			FINISH: LIGHT SPARK		TITLE: ASSEMBLY DRAWING FOR CDIB SERIES			
COLOUR: RAL:7035		MATERIAL: PC UL 94 V0		DWG NO. CDIB-3-D2		A4		
DRAWN IAN PAGANO CHK'D ALWIN B.K.	SIGNED I.P. ABK	DATE 05/10/17 05/12/17	PROJECTION:	SCALE: 2:3	SHEET 1 OF 1	DO NOT SCALE DRAWING		

1 2 3