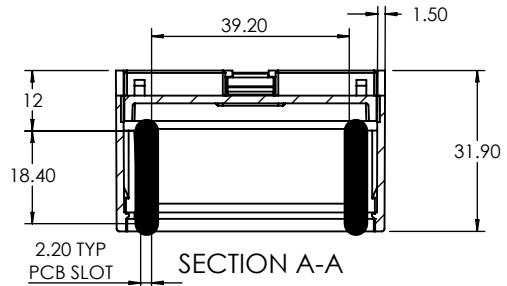


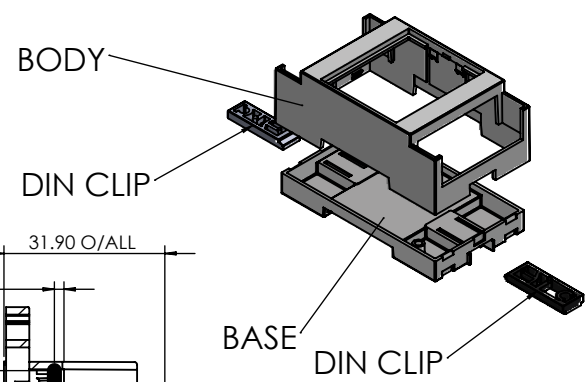
1 2 3 4 5 6

A

A

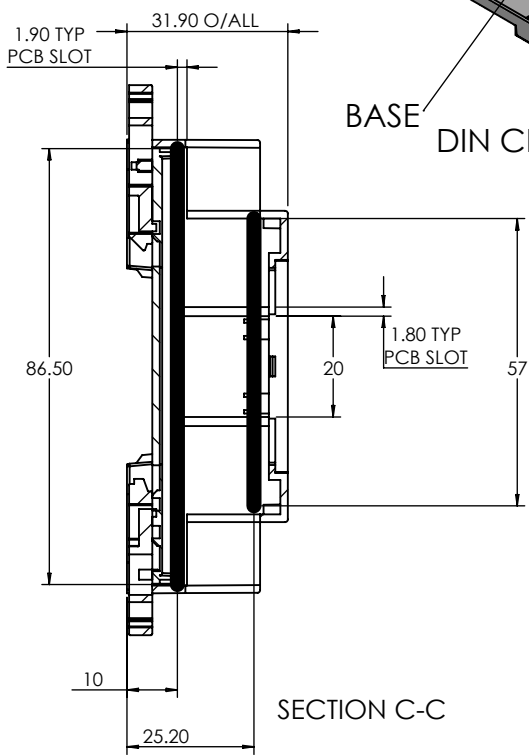
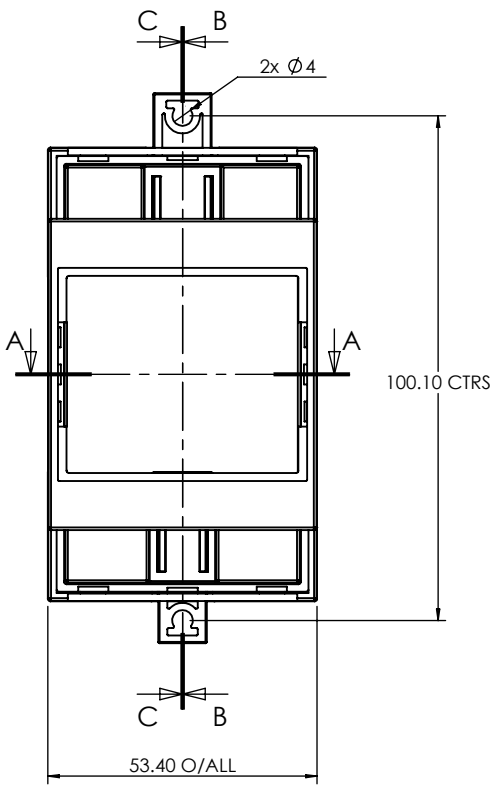
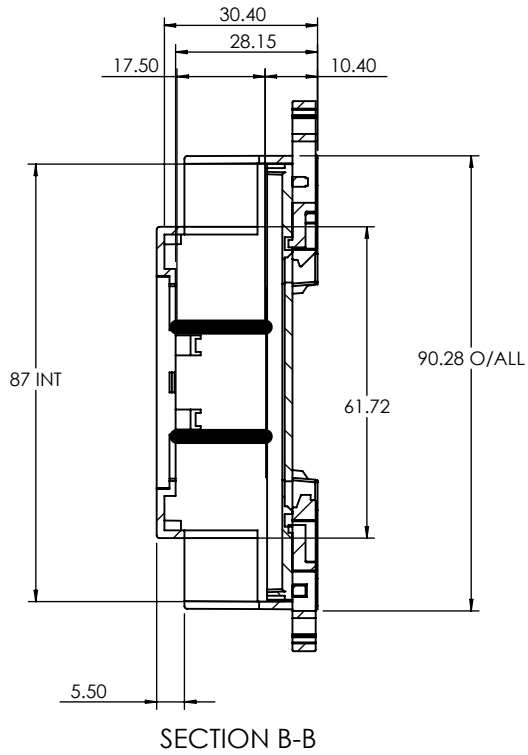


ISO VIEW
1:3



B

B



C

C

D

D

DIN CLIPS ARE SHOWN IN WALL MOUNTING POSITION

		UNLESS OTHERWISE SPECIFIED: DIMENSIONS ARE IN MILLIMETERS		DO NOT SCALE DRAWING	REVISION: ○
		GENERAL TOLERANCES +/- 0.2		TITLE: GENERAL ASSEMBLY DRAWING FOR CDIB SERIES	
MATERIAL: UL94 - V0 PC RAL: 7035		FINISH: FINE TEXTURE		DWG NO.	CDIB-3-L2
NAME	SIGNED	DATE	PROJECTION:	SCALE: 2:3	A4
DRAWN: IAN PAGANO	I.P.	22/03/17			
CHKD: ALWIN B.K	A.BK	05/12/17			SHEET 1 OF 1

1 2 3