

1 2 3 4 5 6

A

A

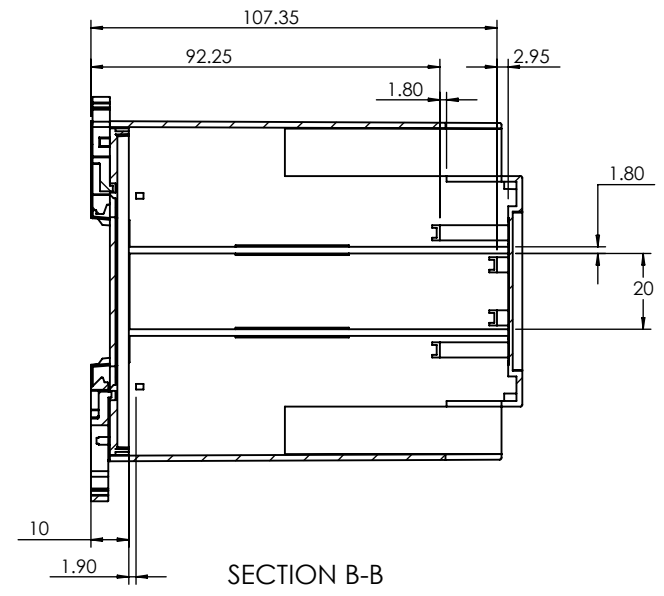
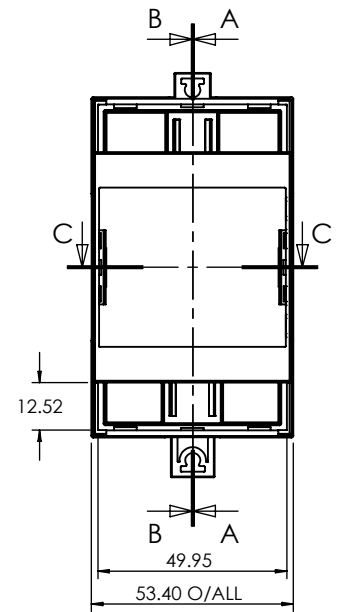
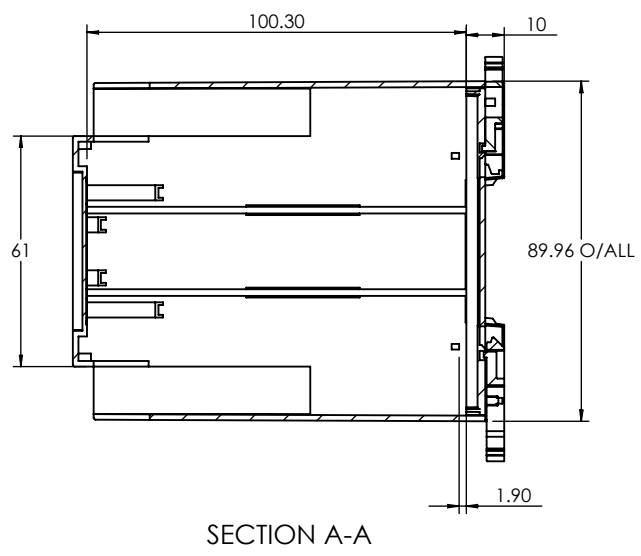
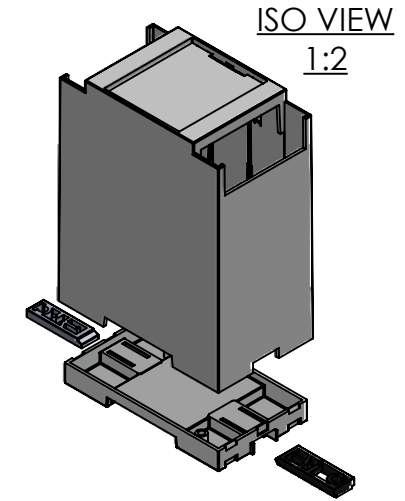
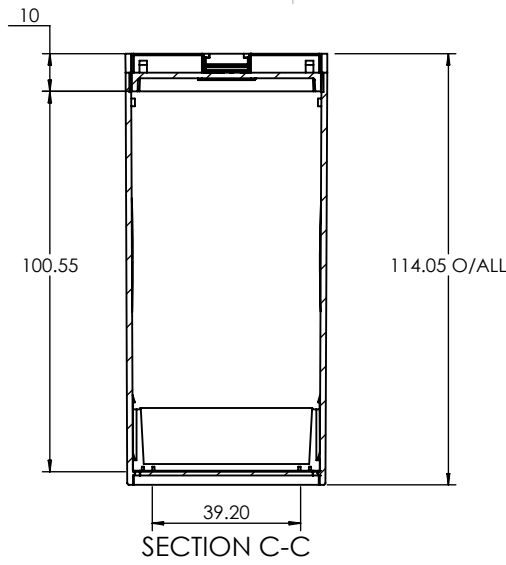
B

B

C

C

D



DIN CLIPS ARE SHOWN IN WALL MOUNTING POSITION

<p>CAMDENBOSS ELECTRONICS & ENCLOSURES</p> <p>JAMES CARTER RD, MILDENHALL, SUFFOLK. IP28 7DE TEL: 01638 716101 FAX: 01638 716554 EMAIL: Sales@CamdenBoss.com WEB: www.CamdenBoss.com</p>			UNLESS OTHERWISE SPECIFIED: DIMENSIONS ARE IN MILLIMETERS		GENERAL TOLERANCES +/- 0.2		REVISION. <input type="checkbox"/>		
			FINISH: LIGHT SPARK		TITLE: ASSEMBLY DRAWING FOR CDIB SERIES				
DRAWN IAN PAGANO		SIGNED I.P.		MATERIAL: PC UL 94 V0		DWG NO. CDIB-3ST-D2		A4	
CHK'D ALWIN B.K		DATE 05/10/17		COLOUR: RAL:7035		SCALE: 2:3		SHEET 1 OF 1	
		DATE 05/12/17		PROJECTION.		DO NOT SCALE DRAWING			

1 2 3