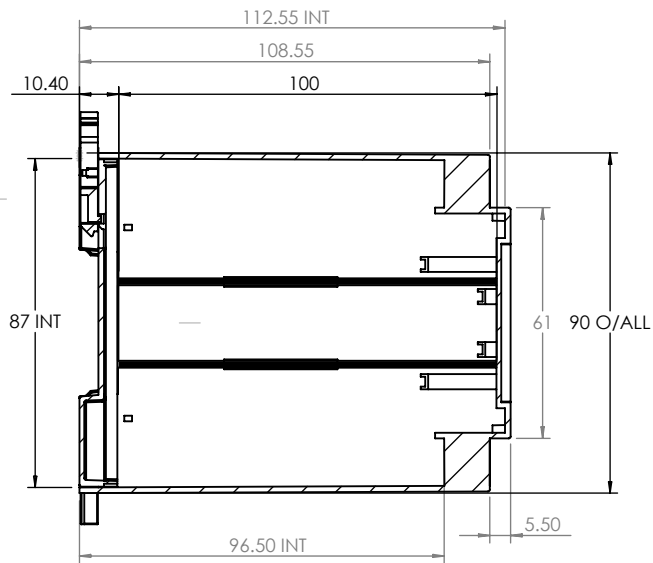
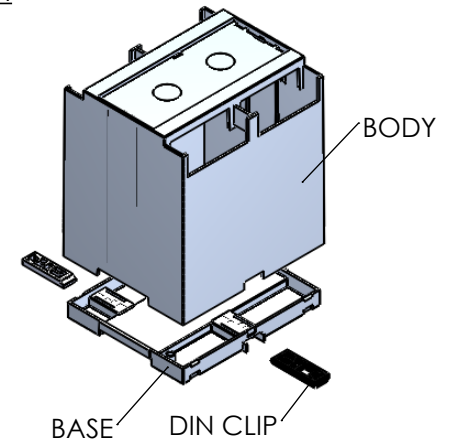
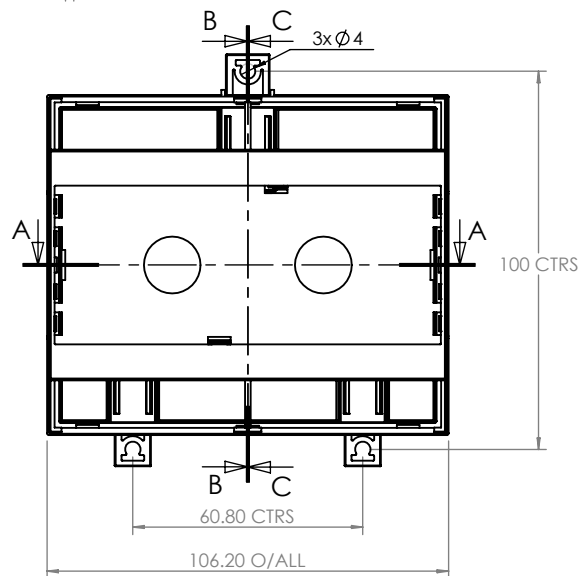


SECTION A-A

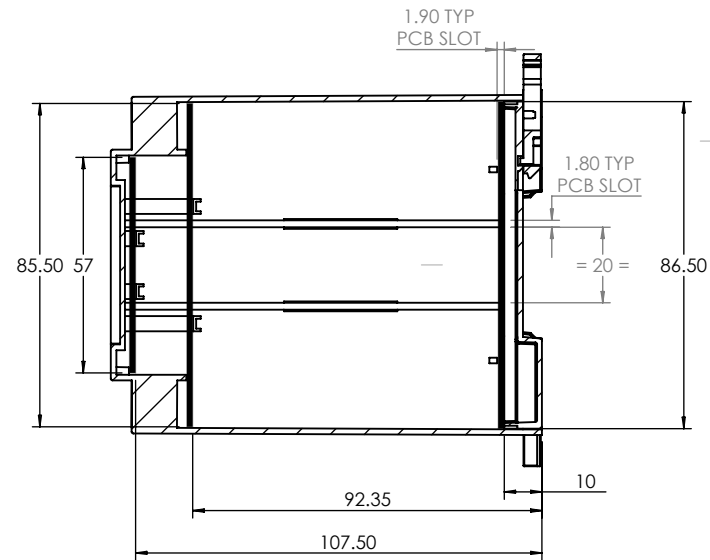
ISO VIEW
1:4



SECTION B-B



DIN CLIPS ARE SHOWN IN WALL MOUNTING POSITION



SECTION C-C



JAMES CARTER RD, MILDENHALL, SUFFOLK. IP28 7DE
TEL: 01638 716101 FAX: 01638 716554
EMAIL: Sales@CamdenBoss.com
WEB: www.CamdenBoss.com

UNLESS OTHERWISE SPECIFIED:
DIMENSIONS ARE IN MILLIMETERS

GENERAL TOLERANCES +/- 0.2

FINISH. FINE TEXTURE

DO NOT SCALE DRAWING

REVISION. ○

TITLE: GENERAL ASSEMBLY DRAWING
FOR CDIB SERIES

	NAME	SIGNED	DATE
DRAWN	MATTHEW WALLACE	MJW	28/04/15
CHKD	IAN PAGANO	IP	29/04/15

MATERIAL. UL94-V0 PC
RAL: 7035
PROJECTION.

DWG NO.	CDIB-6ST-D2	A4
SCALE.	1:2	SHEET 1 OF 1