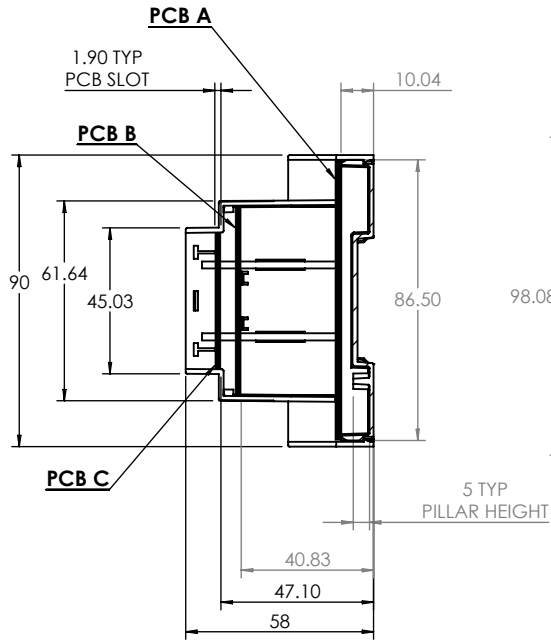
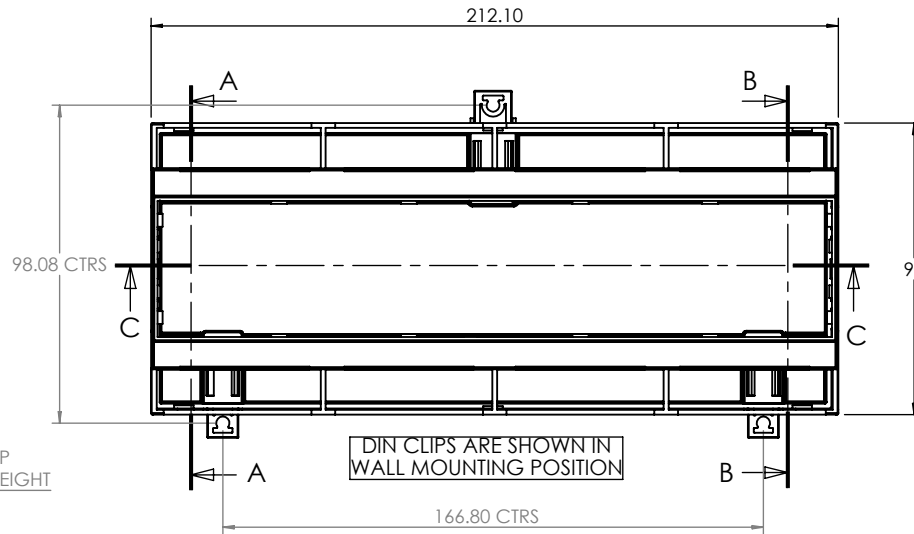


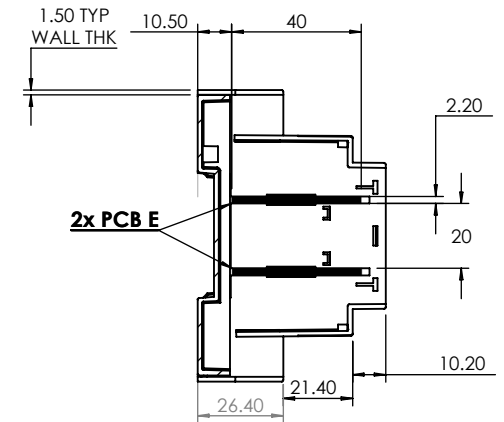
ASSEMBLY



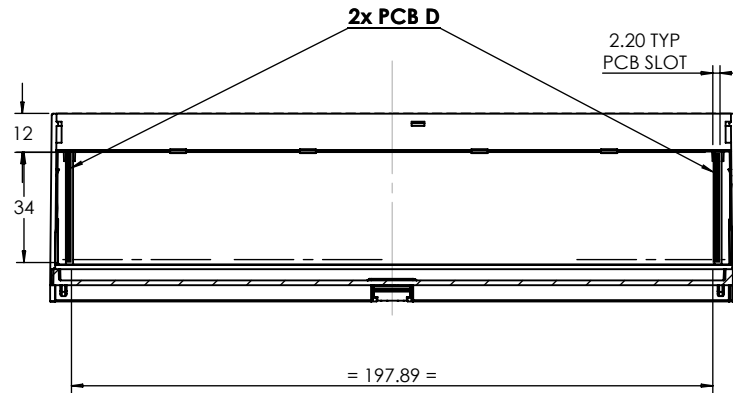
SECTION A-A
SCALE 3 : 7



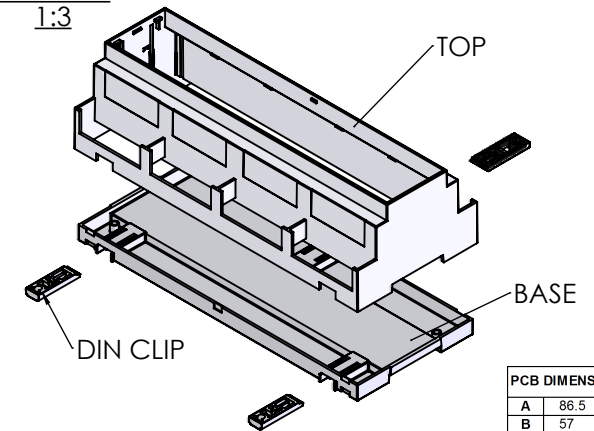
SECTION C-C
SCALE 3 : 7



SECTION B-B
SCALE 3 : 7

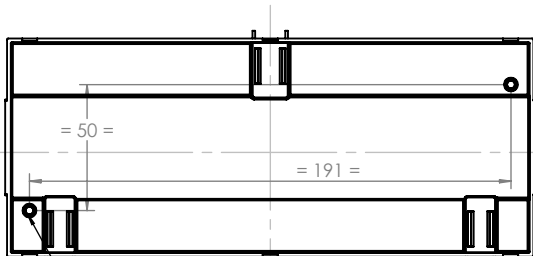


ISO VIEW
1:3



PCB DIMENSIONS (mm)		
A	86.5	x 208
B	57	x 207
C	41.8	x 207
D	34	x 59.6
E	40	x 208

BASE



JAMES CARTER RD, MILDENHALL, SUFFOLK. IP28 7DE
TEL: 01638 716101 FAX: 01638 716554
EMAIL: Sales@CamdenBoss.com
WEB: www.CamdenBoss.com

	NAME	SIGNED	DATE
DRAWN	JAMIE JACOBS	JNJ	22/11/12
CHK'D	-	-	-

UNLESS OTHERWISE SPECIFIED:
DIMENSIONS ARE IN MILLIMETERS

GENERAL TOLERANCES +/- 0.2

FINISH. SMOOTH

MATERIAL. UL94-VO PC

PROJECTION.

DO NOT SCALE DRAWING

REVISION. 0

TITLE:

GNL ASSY DRG FOR
CNMB SERIES

DWG NO.

CNMB-12W-2

A4

SCALE. 1 : 2

SHEET 1 OF 1