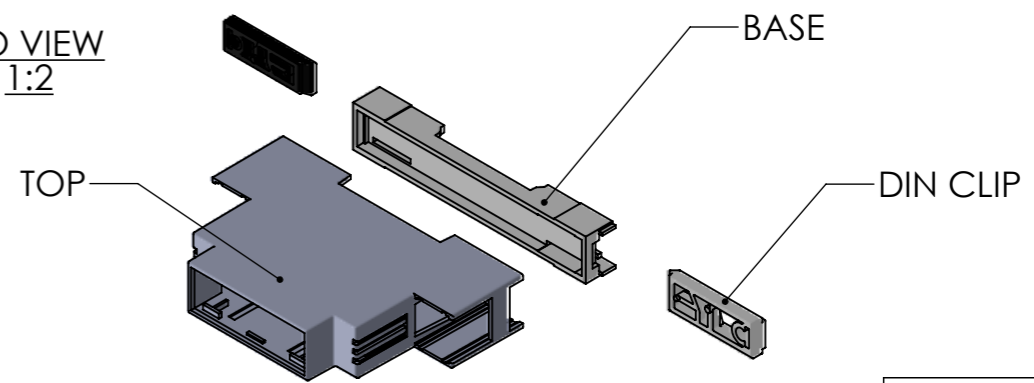
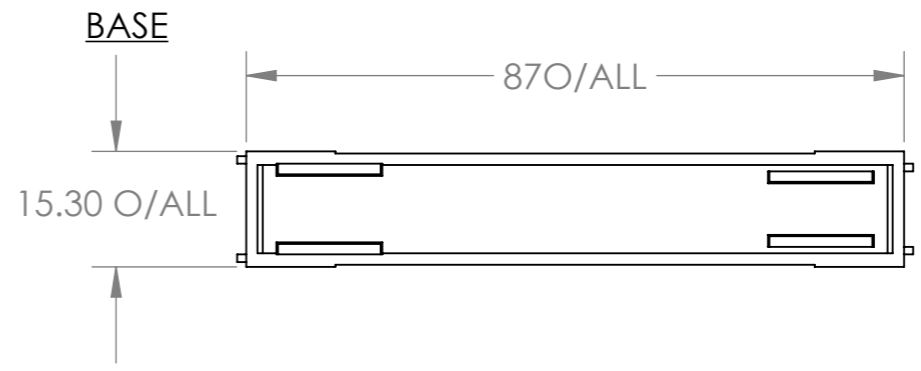
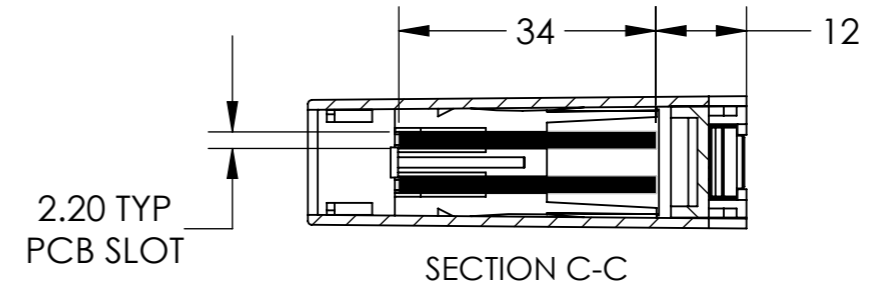


ISO VIEW
1:2



PCB DIMENSIONS (mm)	
A	86.5 x 14
B	57 x 14
C	41.8 x 14
D	34 x 59.6
E	40 x 14.8



 JAMES CARTER RD, MILDENHALL, SUFFOLK, IP28 7DE TEL: 01638 716101 FAX: 01638 716554 EMAIL: Sales@CamdenBoss.com WEB: www.CamdenBoss.com			UNLESS OTHERWISE SPECIFIED: DIMENSIONS ARE IN MILLIMETERS		DO NOT SCALE DRAWING	REVISION: 0
			FINISH: SMOOTH		TITLE: GNL ASSY DRG FOR CNMB SERIES	
NAME	SIGNATURE	DATE	MATERIAL: UV94-VO PC	DWG NO. CNMB-1V-2	A3	
DRAWN: M.WALLACE	MJW	07/10/10	PROJECTION:	SCALE: 1:1	SHEET 1 OF 1	
CHK'D: L. SUBKHANKULOVA	LS	07/10/10				