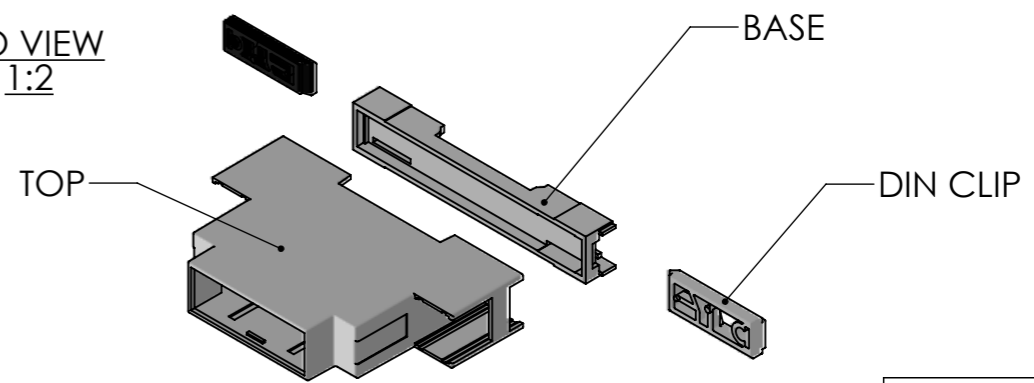
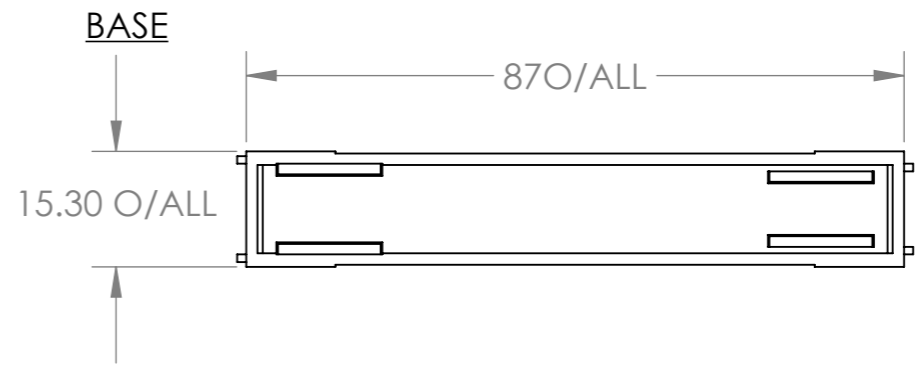
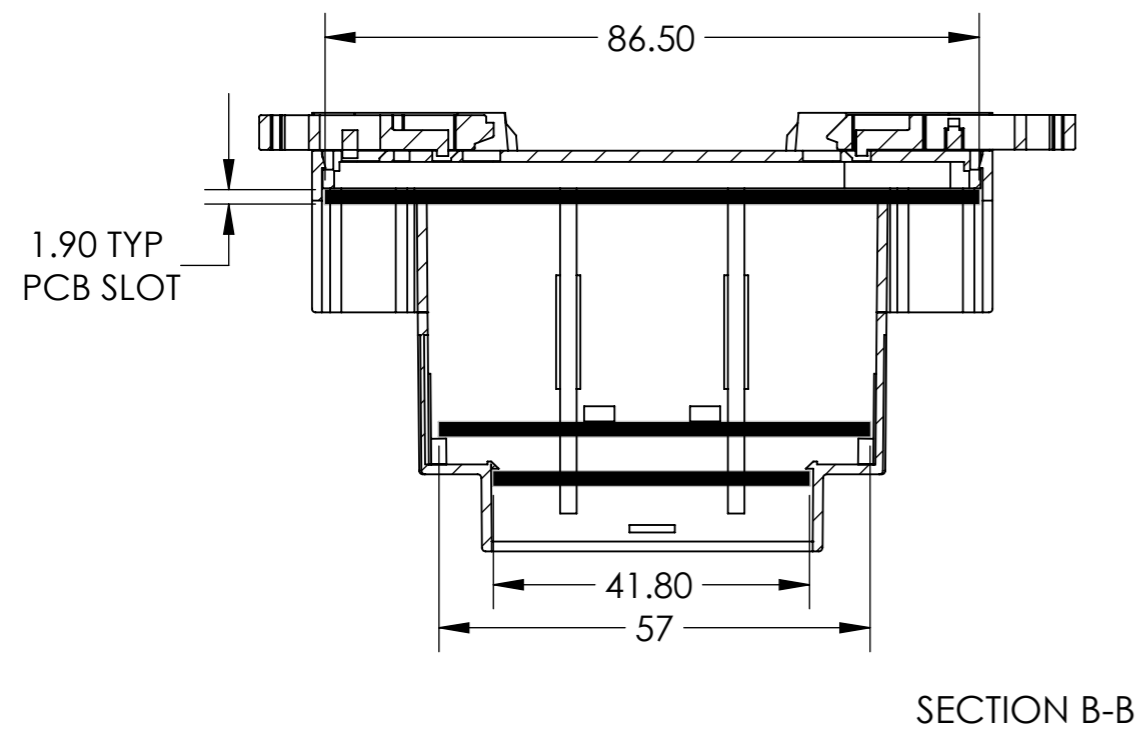
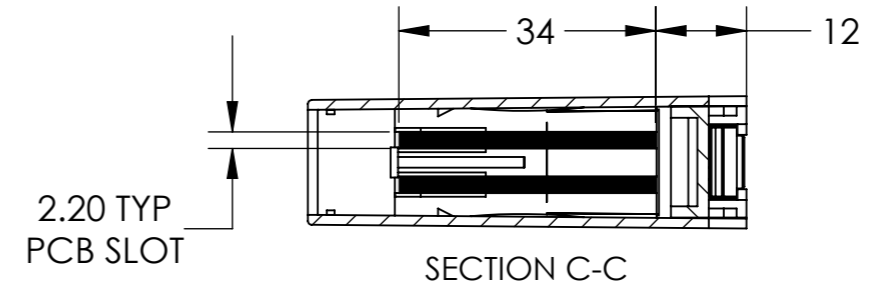
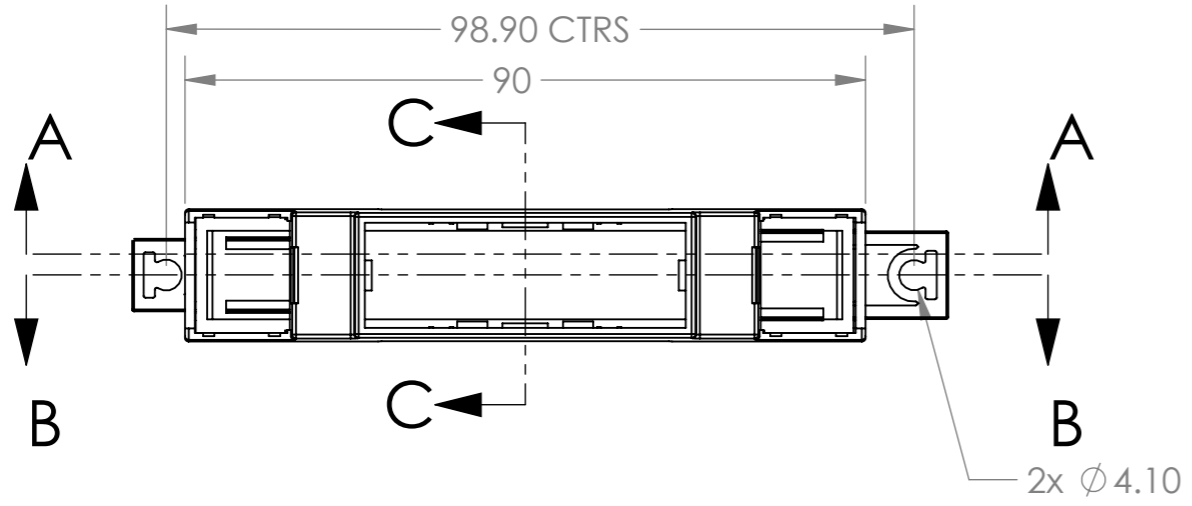


ISO VIEW
1:2



PCB DIMENSIONS (mm)	
A	86.5 x 14
B	57 x 14
C	41.8 x 14
D	34 x 59.6
E	40 x 14.8



<p>JAMES CARTER RD, MILDENHALL, SUFFOLK, IP28 7DE TEL: 01638 716101 FAX: 01638 716554 EMAIL: Sales@CamdenBoss.com WEB: www.CamdenBoss.com</p>			UNLESS OTHERWISE SPECIFIED: DIMENSIONS ARE IN MILLIMETERS		DO NOT SCALE DRAWING	REVISION: 0		
			FINISH: SMOOTH		TITLE: GNL ASSY DRG FOR CNMB SERIES			
DRAWN: M.WALLACE		SIGNATURE: MJW		DATE: 07/10/10		MATERIAL: UV94-VO PC	DWG NO. CNMB-1W-2	A3
CHK'D: L.SUBKHANKULOVA		LS		07/10/10		PROJECTION:	SCALE: 1:1	SHEET 1 OF 1