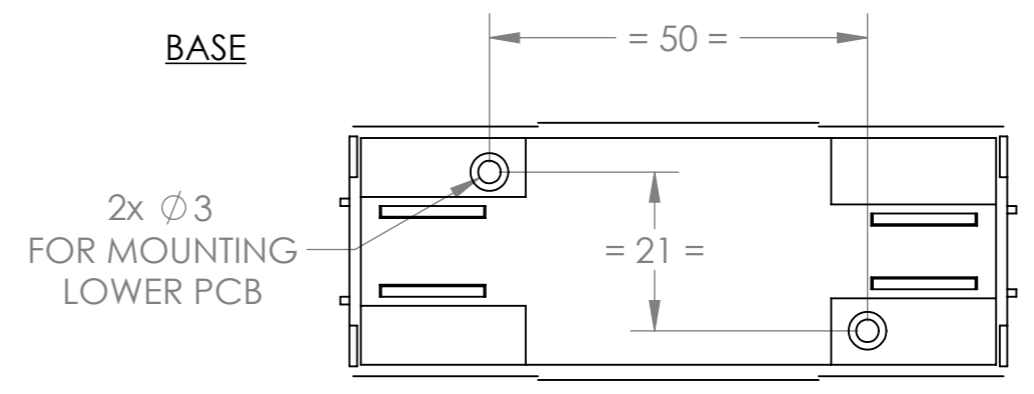
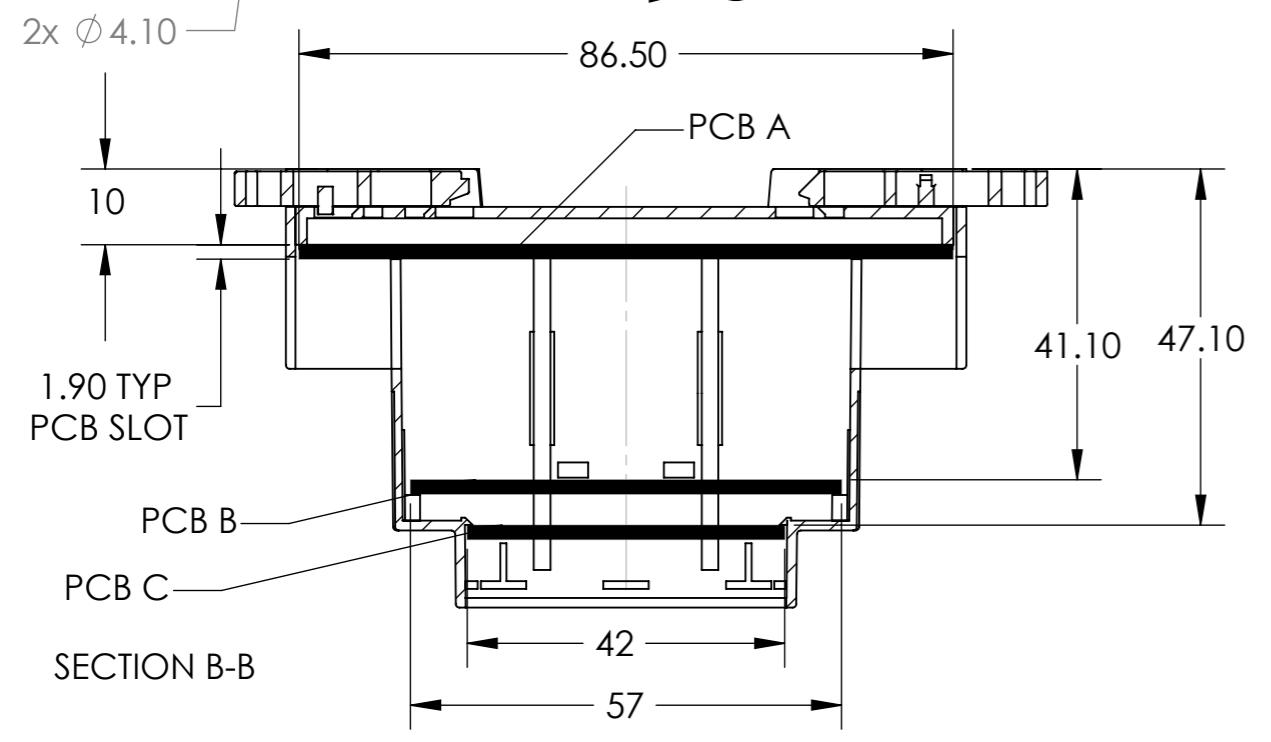
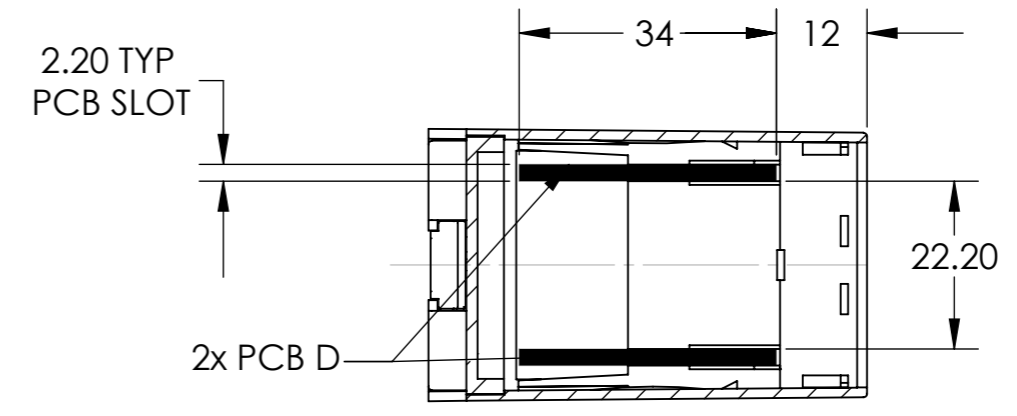
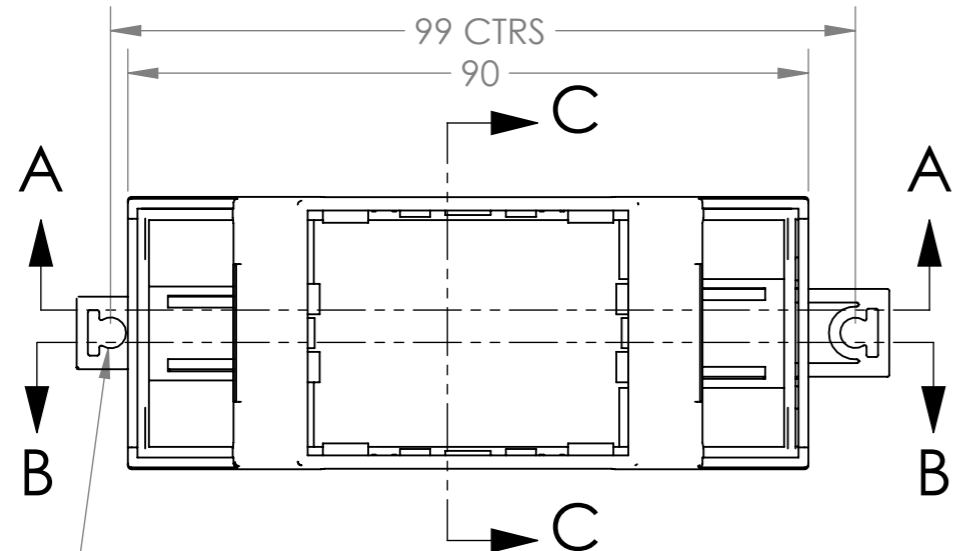


PCB DIMENSIONS (mm)	
A	86.5 x 33
B	57 x 32
C	42 x 32
D	34 x 59.6
E	40 x 33



<p>JAMES CARTER RD, MILDENHALL, SUFFOLK, IP28 7DE TEL: 01638 716101 FAX: 01638 716554 EMAIL: Sales@CamdenBoss.com WEB: www.CamdenBoss.com</p>		UNLESS OTHERWISE SPECIFIED: DIMENSIONS ARE IN MILLIMETERS		DO NOT SCALE DRAWING	REVISION: 0
		FINISH: SMOOTH		TITLE: GNL ASSY DGR FOR CNMB SERIES	
NAME	SIGNATURE	DATE	MATERIAL: UV94-VO PC	DWG NO.	CNMB-2-2
DRAWN: M.WALLACE	MJW	07/10/10	PROJECTION:	SCALE: 1:1	A3
CHK'D: L.SUBKHANKULOVA	LS	07/10/10			SHEET 1 OF 1