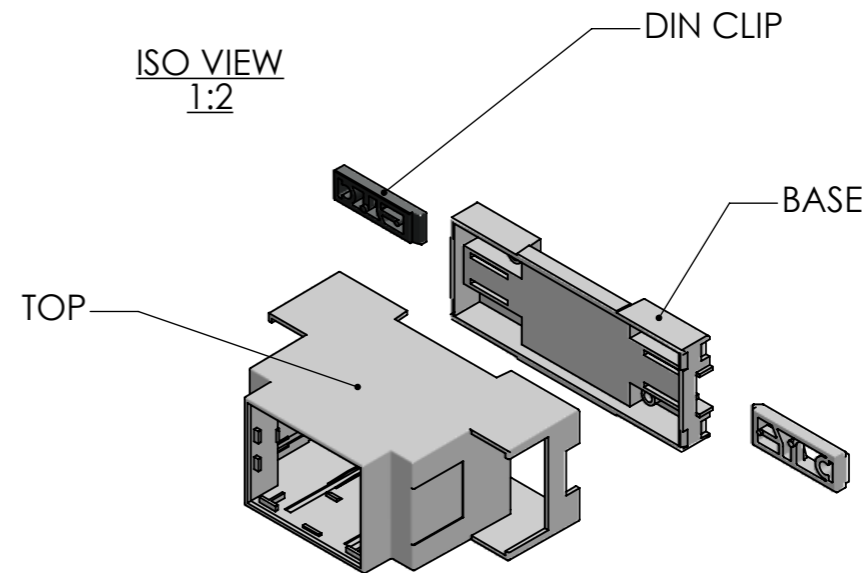
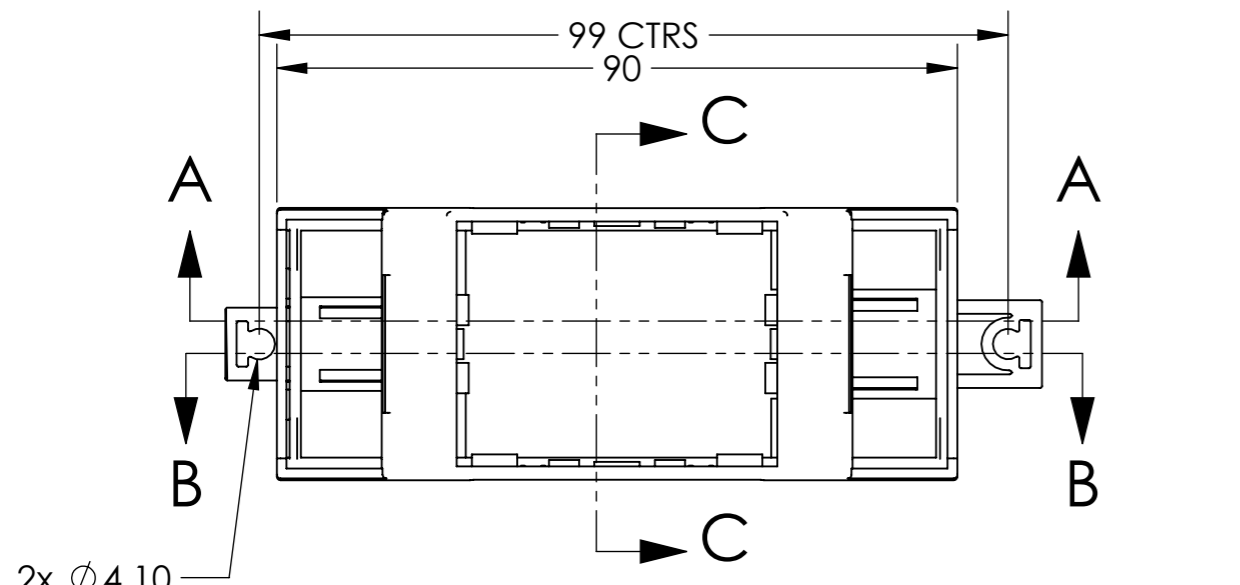


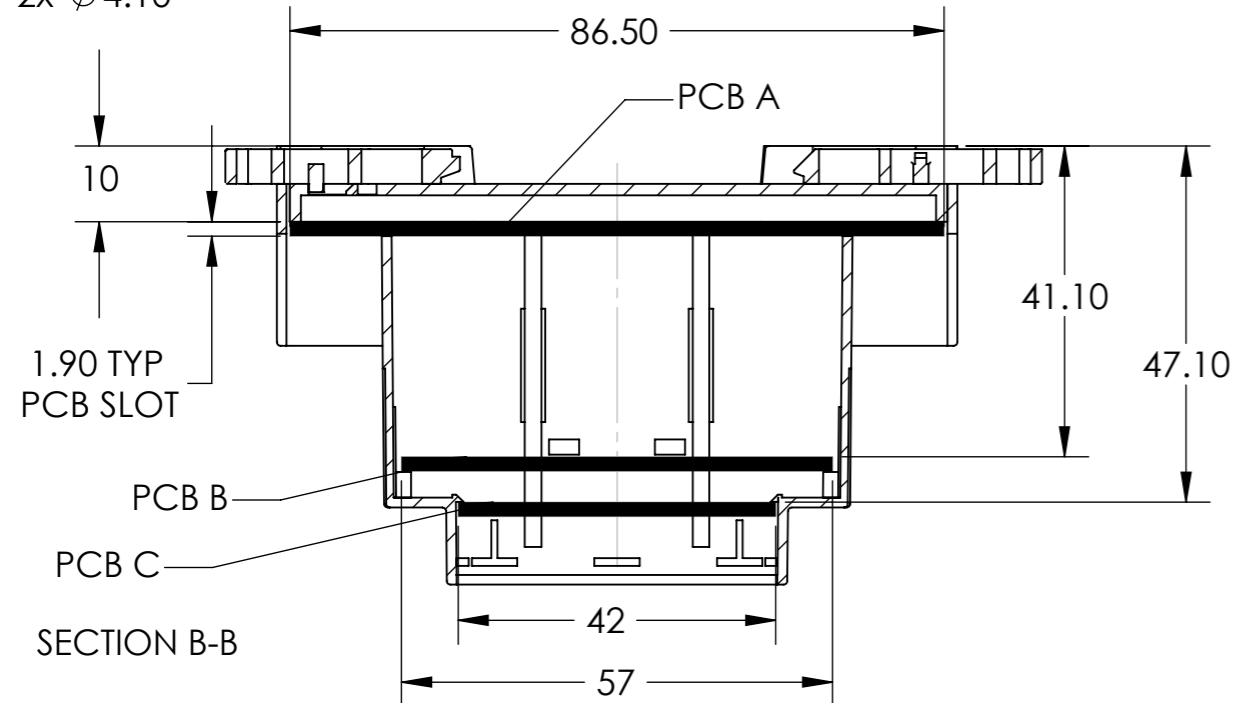
SECTION A-A



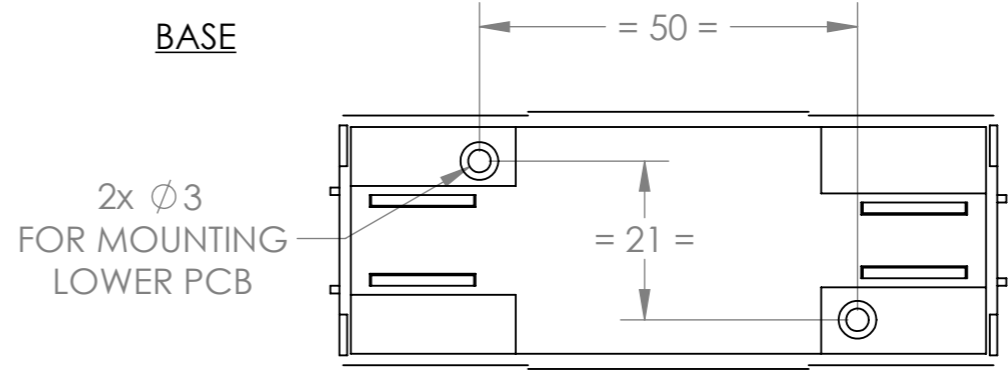
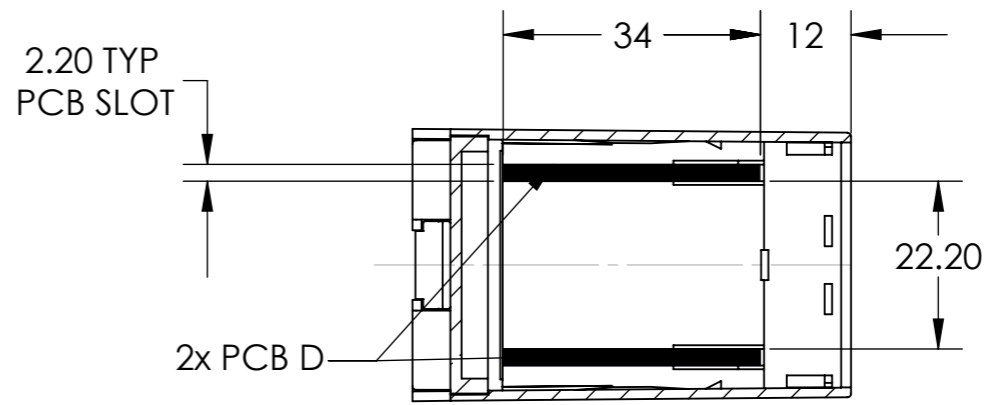
PCB DIMENSIONS (mm)	
A	86.5 x 33
B	57 x 32
C	42 x 32
D	34 x 59.6
E	40 x 33



SECTION C-C



SECTION B-B



JAMES CARTER RD, MILDENHALL, SUFFOLK, IP28 7DE
 TEL: 01638 716101 FAX: 01638 716554
 EMAIL: Sales@CamdenBoss.com
 WEB: www.CamdenBoss.com

UNLESS OTHERWISE SPECIFIED:
 DIMENSIONS ARE IN MILLIMETERS
 FINISH: SMOOTH
 MATERIAL: UV94-VO PC

DO NOT SCALE DRAWING	REVISION: 0
TITLE:	GNL ASSY DGR FOR CNMB SERIES
DWG NO.	CNMB-2W-2
SCALE: 1:1	SHEET 1 OF 1

NAME	SIGNATURE	DATE
M.WALLACE	MJW	07/10/10
L.SUBKHANKULOVA	LS	07/10/10

PROJECTION:

A3