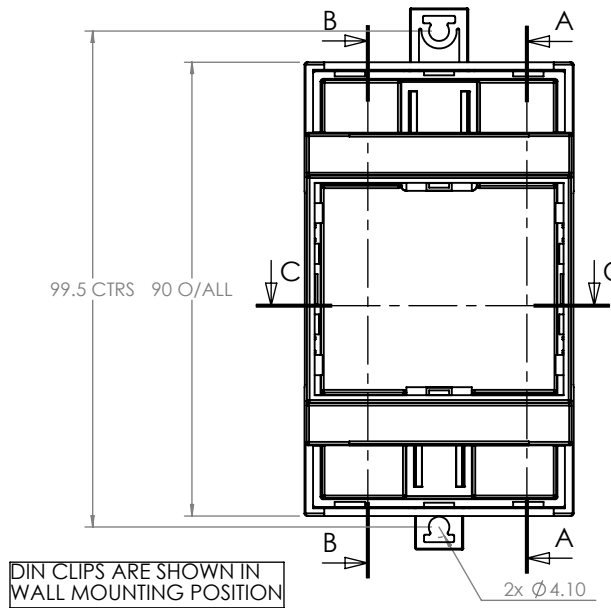
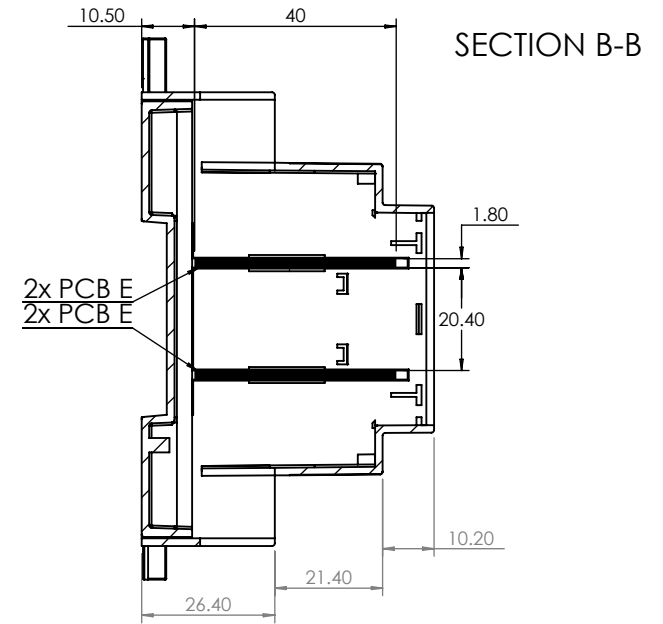


SECTION A-A

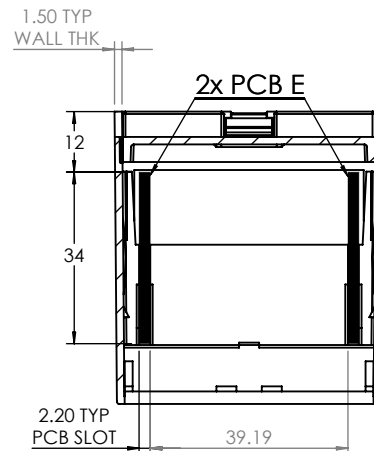
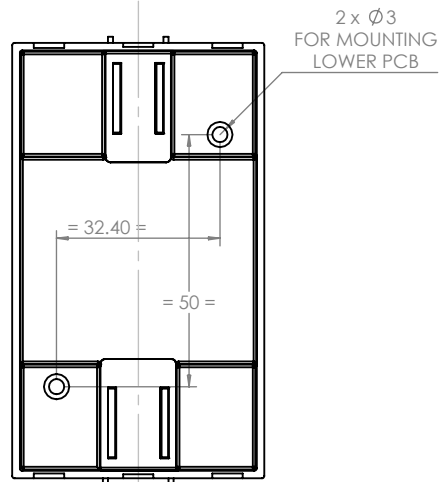


DIN CLIPS ARE SHOWN IN WALL MOUNTING POSITION



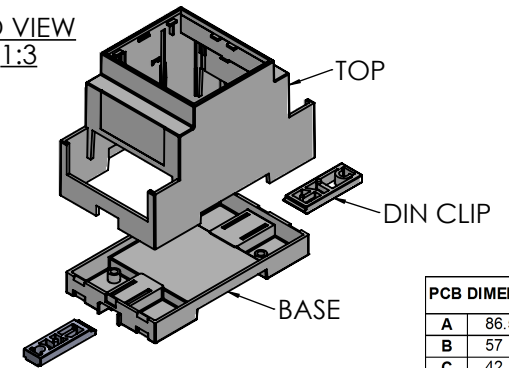
SECTION B-B

BASE



SECTION C-C

ISO VIEW
1:3



| PCB DIMENSIONS (mm) | | |
|---------------------|------|--------|
| A | 86.5 | x 50 |
| B | 57 | x 49 |
| C | 42 | x 49 |
| D | 34 | x 59.6 |
| E | 40 | x 50 |

CAMDENBOSS
ELECTRONICS & ENCLOSURES
JAMES CARTER RD, MILDENHALL, SUFFOLK. IP28 7DE
TEL: 01638 716101 FAX: 01638 716554
EMAIL: Sales@CamdenBoss.com
WEB: www.CamdenBoss.com

UNLESS OTHERWISE SPECIFIED:
DIMENSIONS ARE IN MILLIMETERS

DO NOT SCALE DRAWING

REVISION: 0

GENERAL TOLERANCES +/- 0.2

TITLE:

GNL ASSY DRG FOR
CNMB SERIES

FINISH:

SMOOTH

DWG NO.

CNMB-3-2

A4

| | NAME | SIGNED | DATE |
|-------|--------------|--------|----------|
| DRAWN | JAMIE JACOBS | JNJ | 11/01/13 |
| CHKD | - | - | - |

MATERIAL:
UL94-VO PC

PROJECTION:

SCALE: 1 : 2

SHEET 1 OF 1