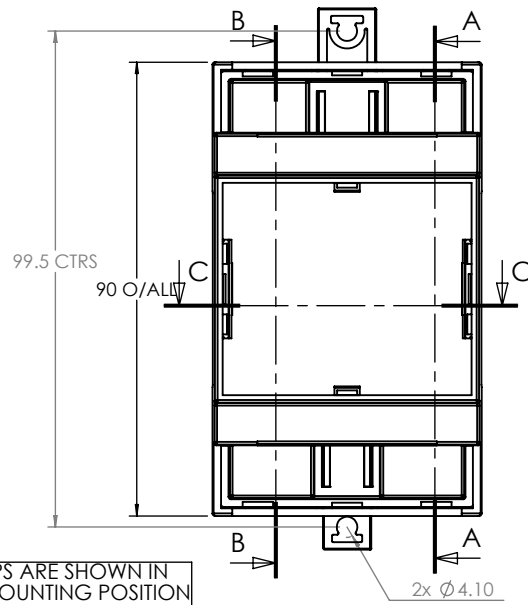
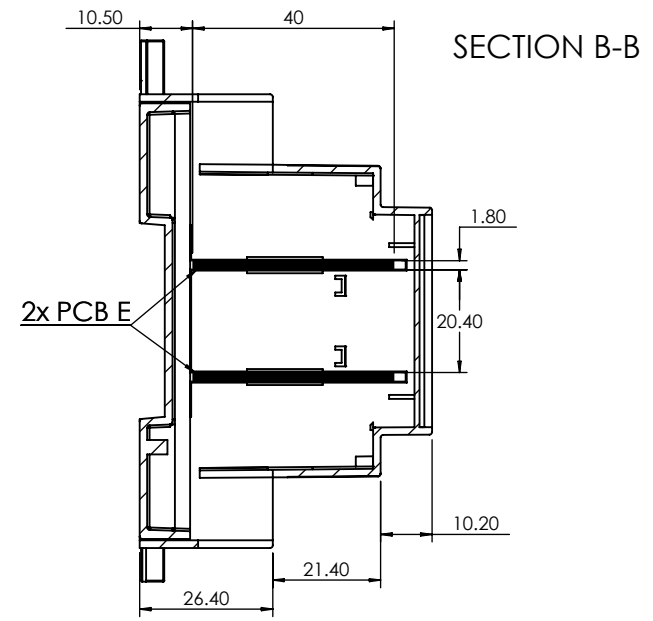


SECTION A-A

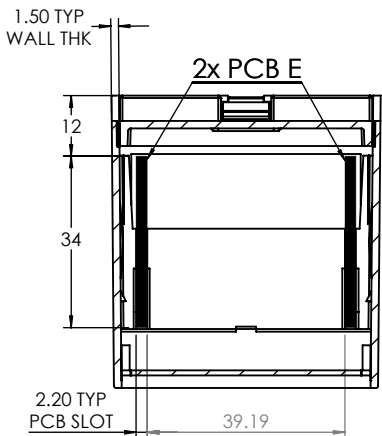
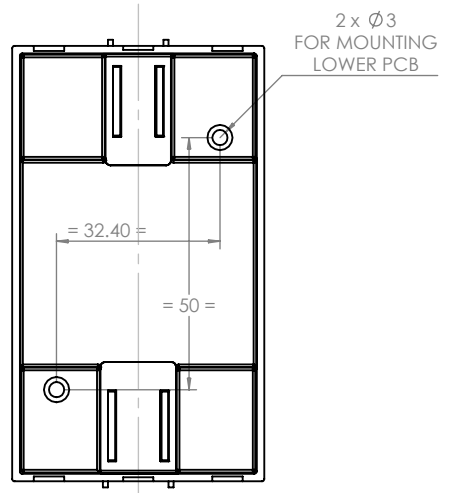


DIN CLIPS ARE SHOWN IN WALL MOUNTING POSITION



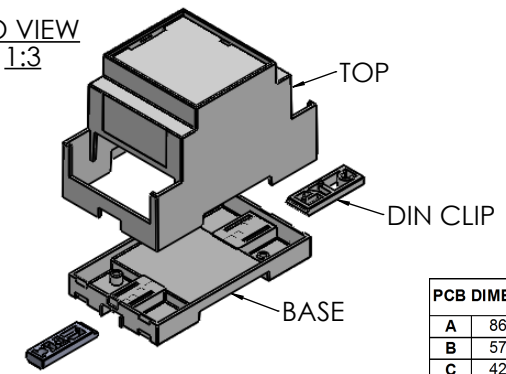
SECTION B-B

BASE



SECTION C-C

ISO VIEW  
1:3



PCB DIMENSIONS (mm)		
A	86.5	x 50
B	57	x 49
C	42	x 49
D	34	x 59.6
E	40	x 50

<p>JAMES CARTER RD, MILDENHALL, SUFFOLK. IP28 7DE TEL: 01638 716101 FAX: 01638 716554 EMAIL: Sales@CamdenBoss.com WEB: www.CamdenBoss.com</p>			UNLESS OTHERWISE SPECIFIED: DIMENSIONS ARE IN MILLIMETERS		DO NOT SCALE DRAWING		REVISION. 0	
			GENERAL TOLERANCES +/- 0.2		TITLE: GNL ASSY DRG FOR CNMB SERIES			
MATERIAL. UL94-VO PC			FINISH. SMOOTH		DWG NO. CNMB-3-2ST		A4	
NAME	SIGNED	DATE	PROJECTION.		SCALE. 1 : 2		SHEET 1 OF 1	
DRAWN	JAMIE JACOBS	JNJ 11/01/13						
CHKD	-	-						