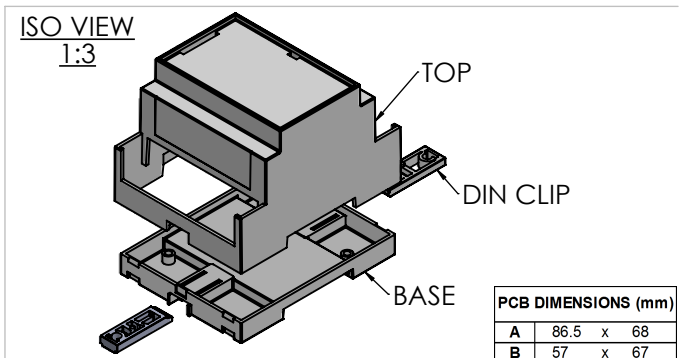
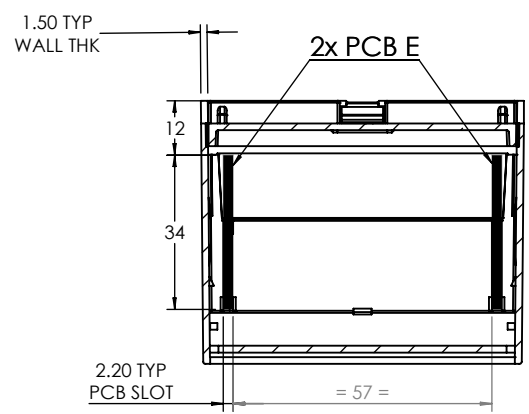
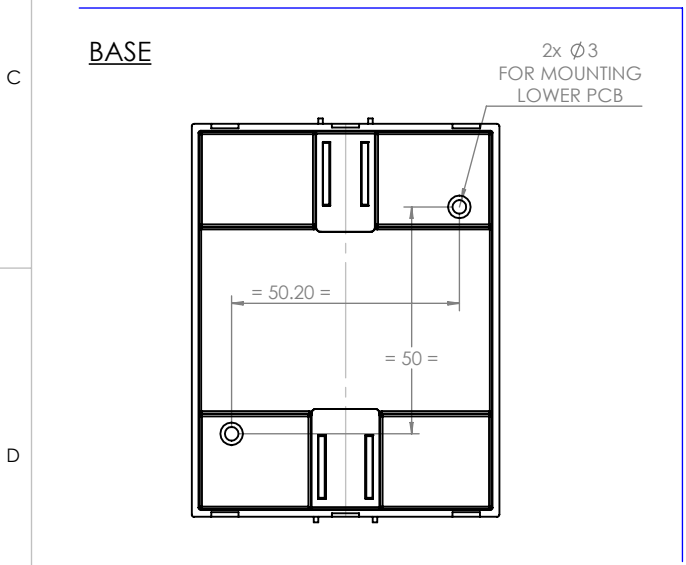


DIN CLIPS ARE SHOWN IN WALL MOUNTING POSITION



PCB DIMENSIONS (mm)	
A	86.5 x 68
B	57 x 67
C	42 x 67
D	34 x 59.6
E	40 x 68

SECTION C-C

<p>JAMES CARTER RD, MILDENHALL, SUFFOLK. IP28 7DE TEL: 01638 716101 FAX: 01638 716554 EMAIL: Sales@CamdenBoss.com WEB: www.CamdenBoss.com</p>			UNLESS OTHERWISE SPECIFIED: DIMENSIONS ARE IN MILLIMETERS		DO NOT SCALE DRAWING		REVISION. 0	
			GENERAL TOLERANCES +/- 0.2		TITLE: GNL ASSY DRG FOR CNMB SERIES			
MATERIAL. UL94-VO PC			FINISH. SMOOTH		DWG NO. CNMB-4ST-2		A4	
NAME	SIGNED	DATE	DRAWN		SCALE. 1 : 2		SHEET 1 OF 1	
JAMIE JACOBS	JNJ	11/01/13	CHKD					