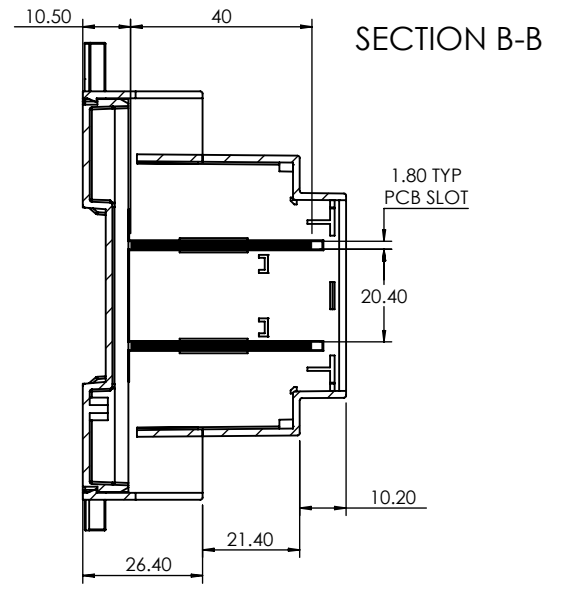
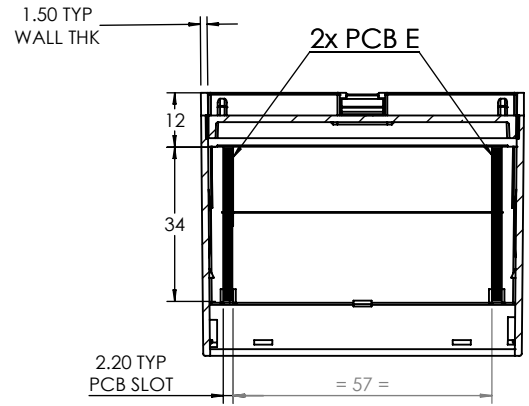
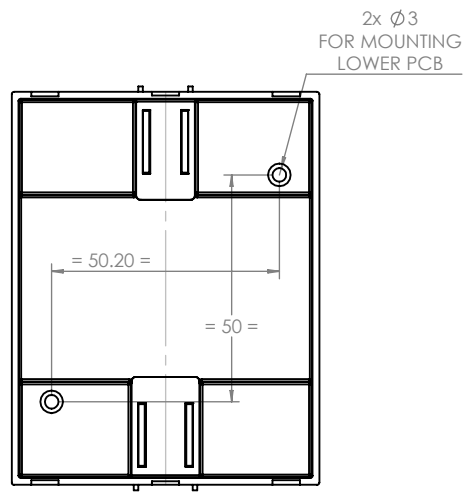


DIN CLIPS ARE SHOWN IN WALL MOUNTING POSITION

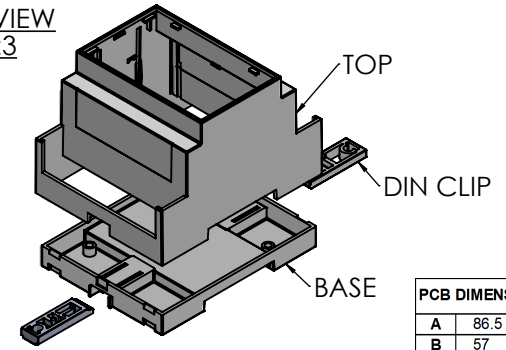


BASE



SECTION C-C

ISO VIEW  
1:3



PCB DIMENSIONS (mm)	
A	86.5 x 68
B	57 x 67
C	42 x 67
D	34 x 59.6
E	40 x 68

**CAMDENBOSS**  
ELECTRONICS & ENCLOSURES  
JAMES CARTER RD, MILDENHALL, SUFFOLK. IP28 7DE  
TEL: 01638 716101 FAX: 01638 716554  
EMAIL: Sales@CamdenBoss.com  
WEB: www.CamdenBoss.com

UNLESS OTHERWISE SPECIFIED:  
DIMENSIONS ARE IN MILLIMETERS  
GENERAL TOLERANCES +/- 0.2  
FINISH: SMOOTH

DO NOT SCALE DRAWING  
REVISION: 0  
TITLE: GNL ASSY DRG FOR CNMB SERIES  
DWG NO. CNMB-4W-2  
A4

	NAME	SIGNED	DATE
DRAWN	JAMIE JACOBS	JNJ	11/01/13
CHKD	-	-	-

MATERIAL: UL94-VO PC  
PROJECTION:

SCALE: 1:2  
SHEET 1 OF 1