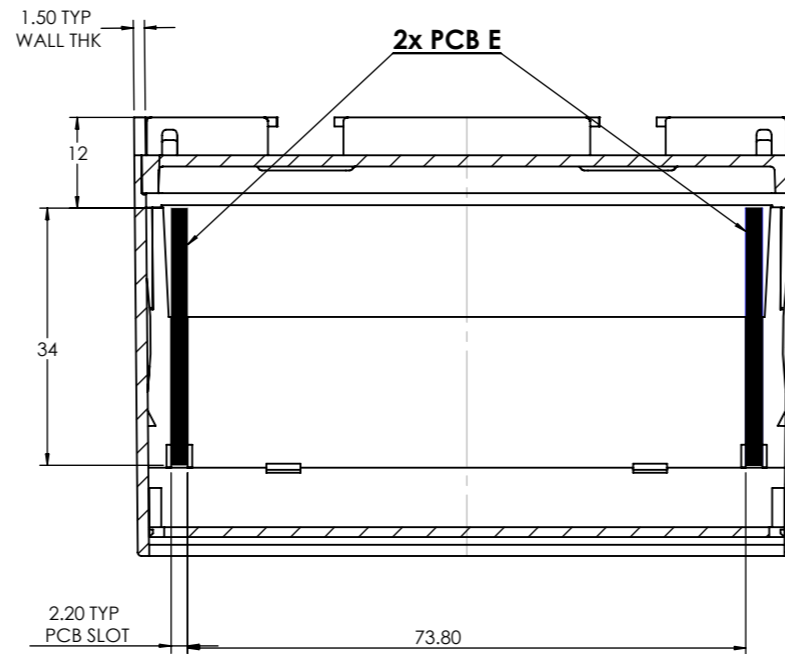
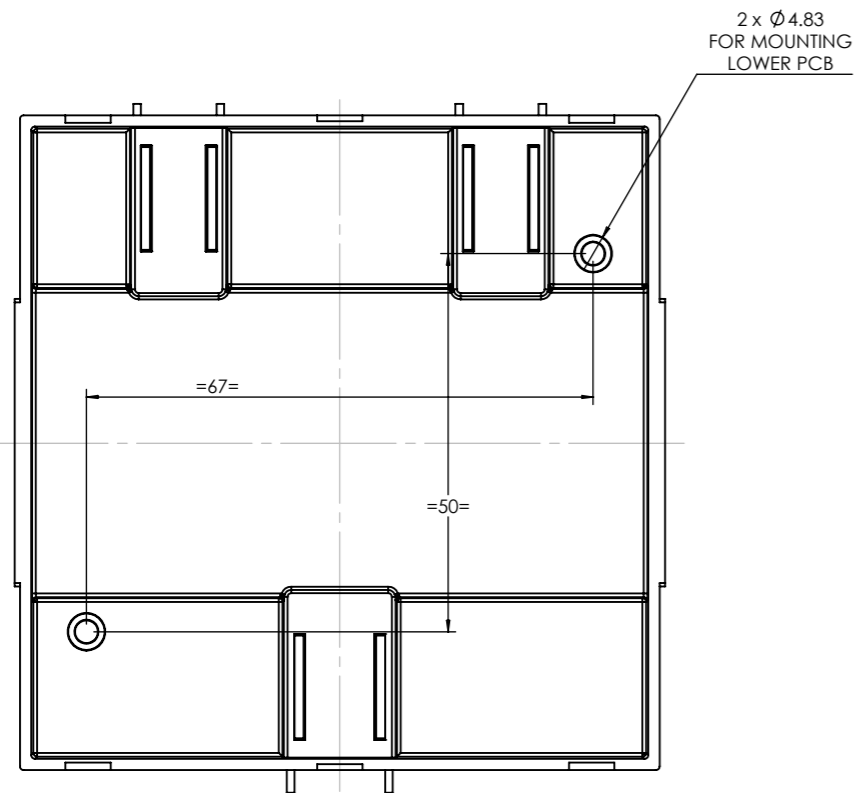


DIN CLIPS ARE SHOWN IN WALL MOUNTING POSITION

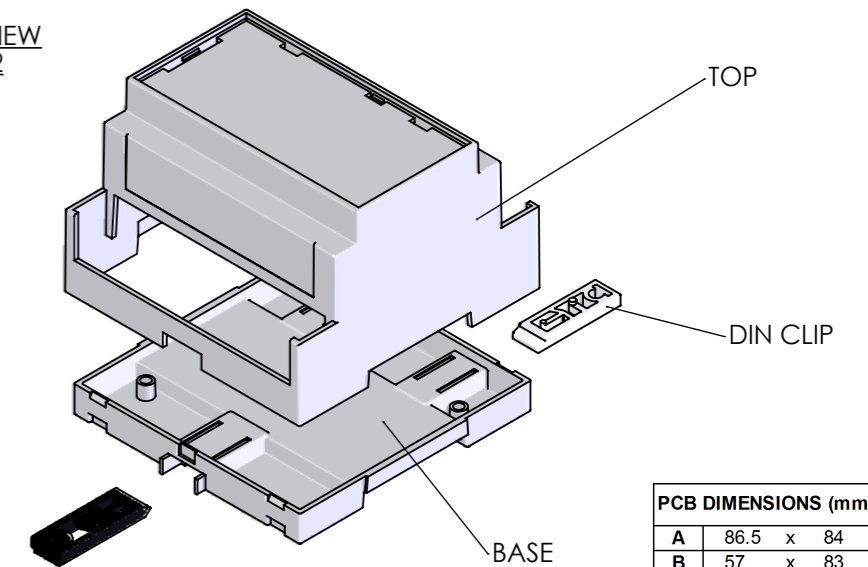
SECTION A-A

BASE



SECTION C-C

ISO VIEW 1:2



PCB DIMENSIONS (mm)	
A	86.5 x 84
B	57 x 83
C	42 x 83
D	34 x 59.69
E	40 x 84

**CAMDENBOSS**  
ELECTRONICS & ENCLOSURES

JAMES CARTER RD, MILDENHALL, SUFFOLK, IP28 7DE  
TEL: 01638 716101 FAX: 01638 716554  
EMAIL: Sales@CamdenBoss.com  
WEB: www.CamdenBoss.com

NAME	SIGNATURE	DATE
DRAWN L SUBKHANKULOVA	LS	18/01/10
CHK'D STUART HARDINGE	SJH	18/01/10

UNLESS OTHERWISE SPECIFIED:  
DIMENSIONS ARE IN MILLIMETERS

FINISH: SMOOTH

MATERIAL: UV94-V0 PC

PROJECTION:

DO NOT SCALE DRAWING

REVISION: 0

TITLE: GNL ASSY DRG FOR CNMB SERIES

DWG NO. CNMB-5ST-2

A3

SCALE 1:1

SHEET 1 OF 1