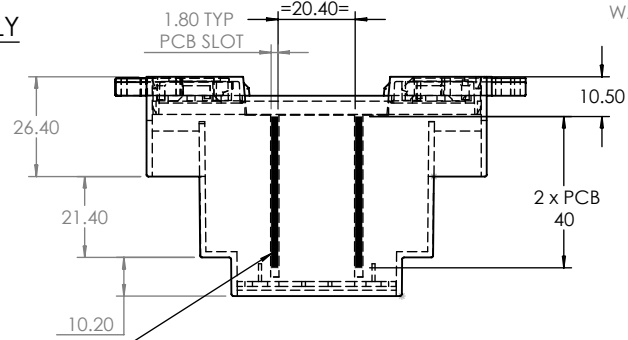
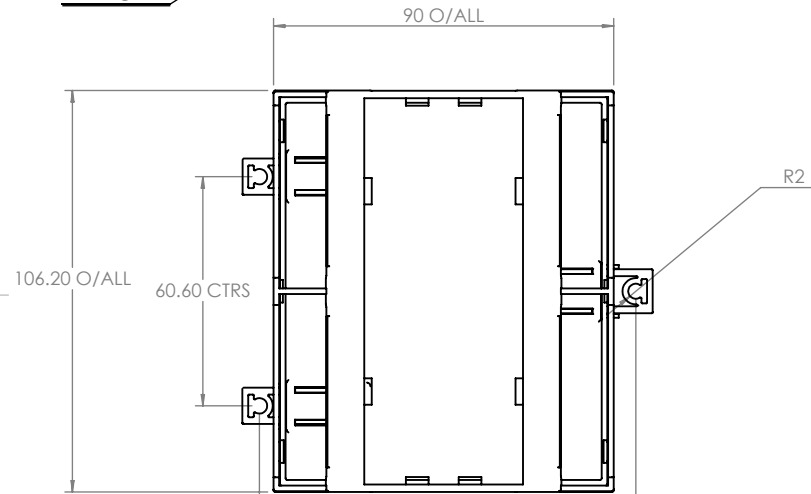


ASSEMBLY

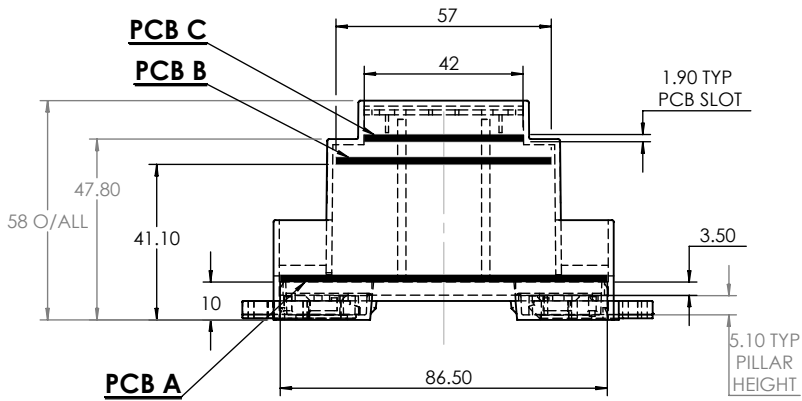


2x PCB E



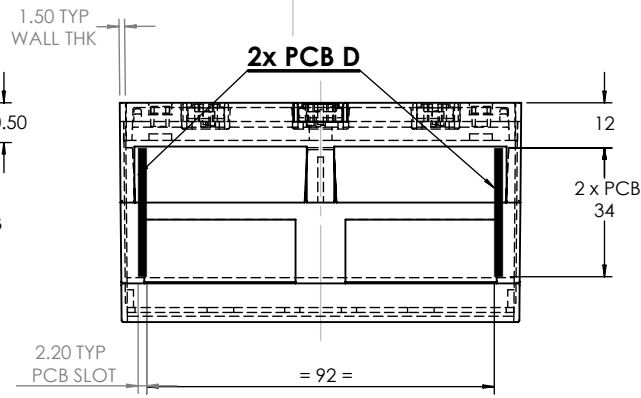
DIN CLIPS ARE SHOWN IN WALL MOUNTING POSITION

**PCB C
PCB B**

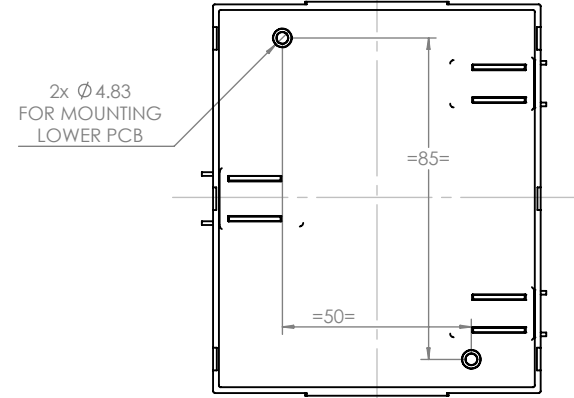


PCB A

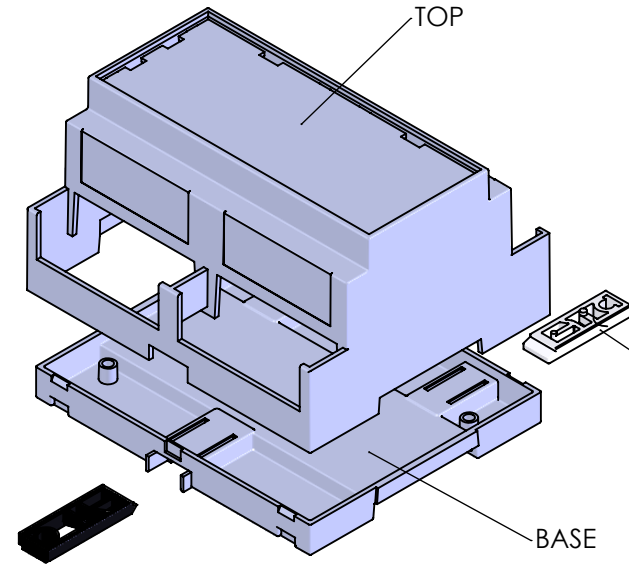
2x PCB D



BASE



**ISO VIEW
1:2**



PCB DIMENSIONS (mm)		
A	86.5	x 103
B	57	x 102
C	42	x 102
D	34	x 59.6
E	40	x 103

<p>JAMES CARTER RD, MILDENHALL, SUFFOLK. IP28 7DE TEL: 01638 716101 FAX: 01638 716554 EMAIL: Sales@CamdenBoss.com WEB: www.CamdenBoss.com</p>		UNLESS OTHERWISE SPECIFIED: DIMENSIONS ARE IN MILLIMETERS		DO NOT SCALE DRAWING		REVISION. 0	
		FINISH: SMOOTH		TITLE: GNL ASSY DRG FOR CNMB SERIES			
DRAWN SUBKHANKULOVA LS		SIGNED LS		DATE 13/01/10		MATERIAL: UL94-V0 PC	
CHKD STUART HARDINGE SJH		SIGNED SJH		DATE 13/01/10		DWG NO. CNMB-6ST-2	
		PROJECTION.				SCALE: 1 : 2	
						SHEET 1 OF 1	

A4