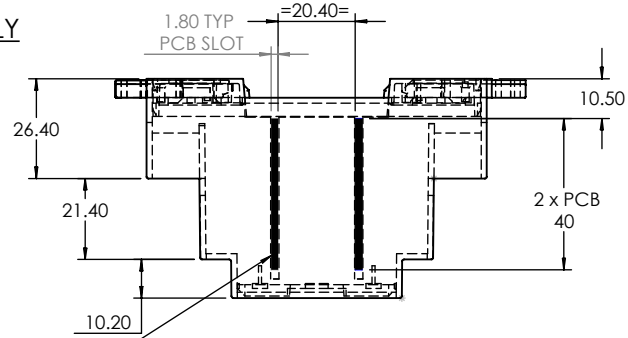
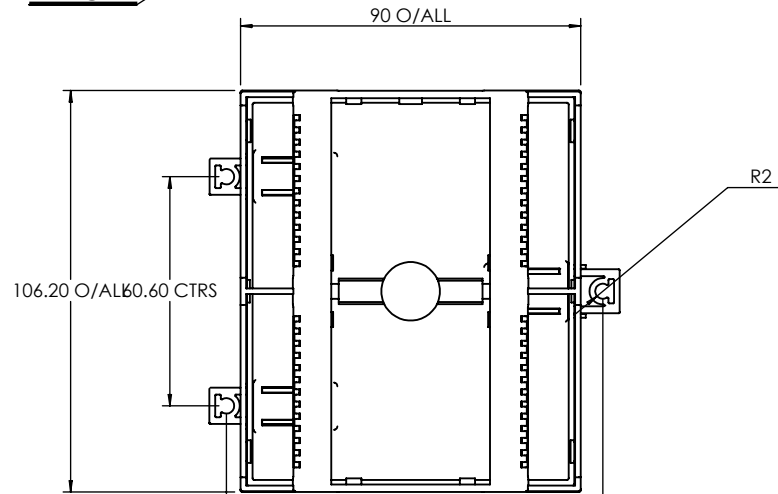


ASSEMBLY



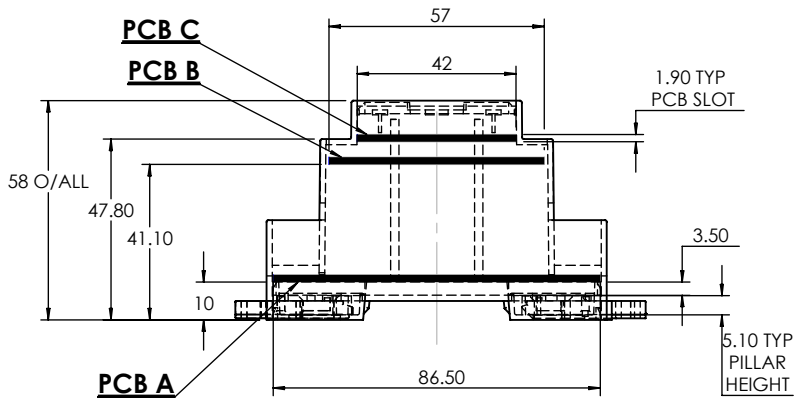
2x PCB E



DIN CLIPS ARE SHOWN IN WALL MOUNTING POSITION

PCB C

PCB B

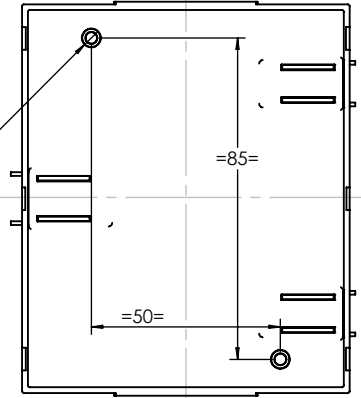


PCB A

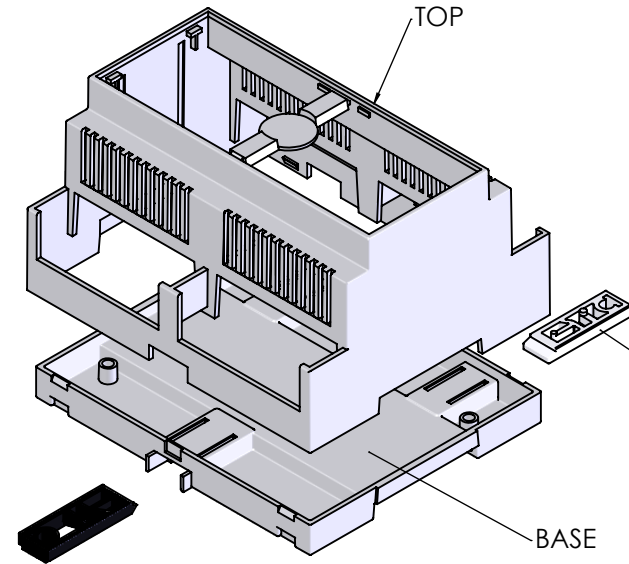


BASE

2x Ø 4.83 FOR MOUNTING LOWER PCB



ISO VIEW
1:2



PCB DIMENSIONS (mm)	
A	86.5 x 103
B	57 x 102
C	42 x 102
D	34 x 59.6
E	40 x 103

<p>JAMES CARTER RD, MILDENHALL, SUFFOLK. IP28 7DE TEL: 01638 716101 FAX: 01638 716554 EMAIL: Sales@CamdenBoss.com WEB: www.CamdenBoss.com</p>		UNLESS OTHERWISE SPECIFIED: DIMENSIONS ARE IN MILLIMETERS		DO NOT SCALE DRAWING	REVISION: 0
		FINISH: SMOOTH		TITLE: GNL ASSY DRG FOR CNMB SERIES	
DRAWN: SUBKHANKULOVA LS 13/01/10		MATERIAL: UL94-V0 PC		DWG NO.: CNMB-6-2V	
CHKD: STUART HARDINGE SJH 13/01/10		PROJECTION:		SCALE: 1:2	SHEET 1 OF 1

A4