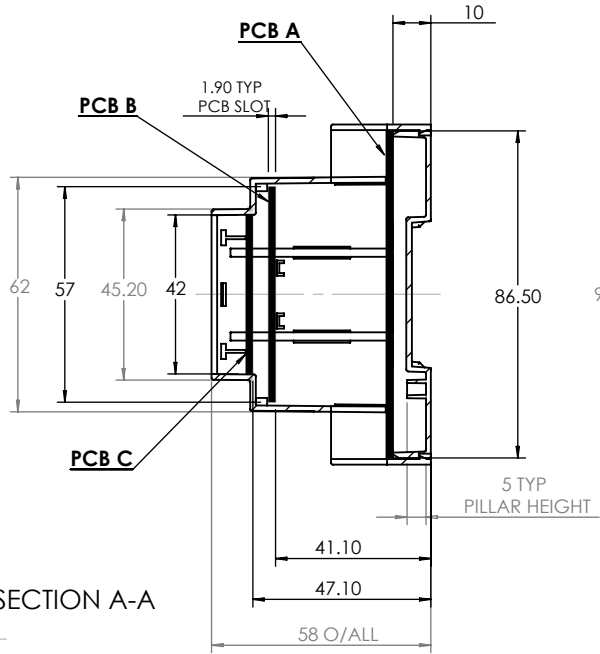
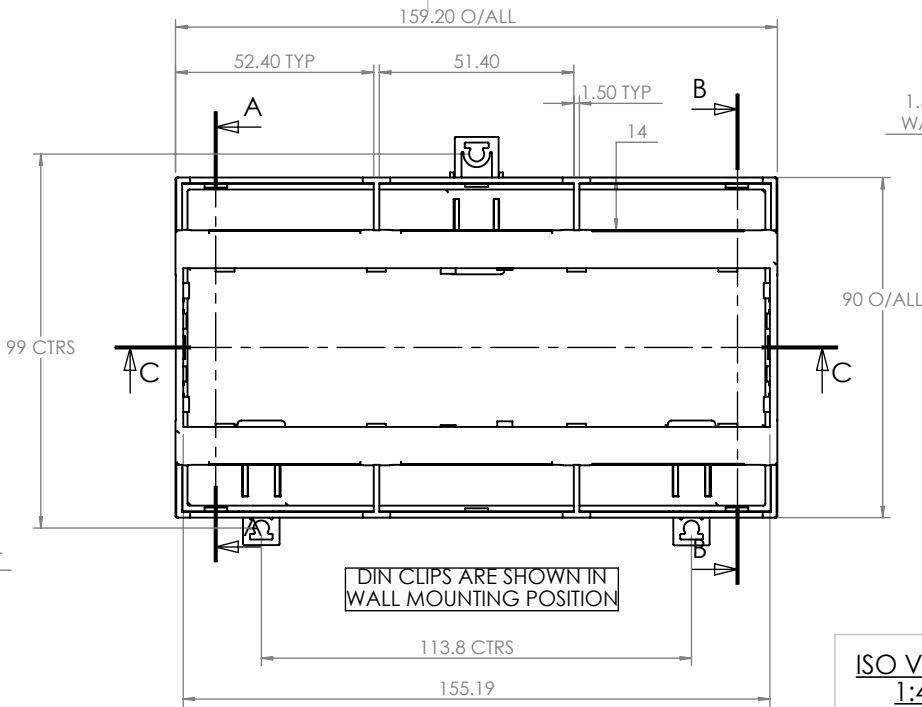


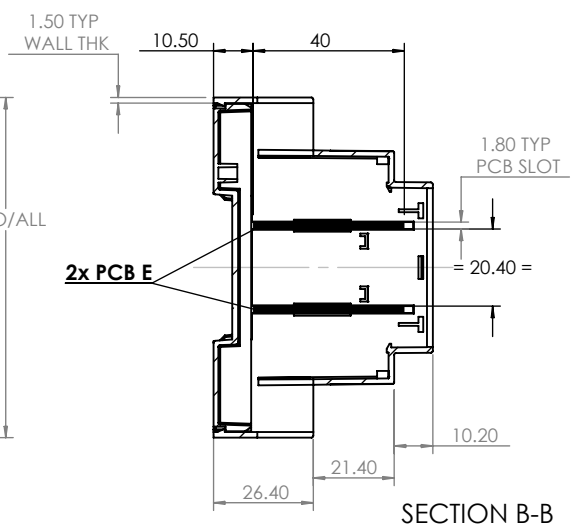
ASSEMBLY



SECTION A-A

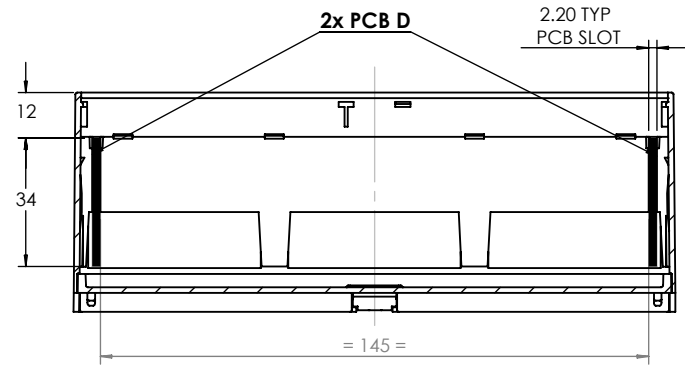
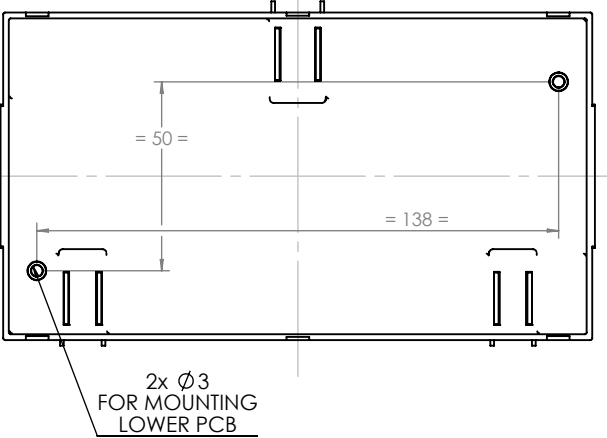


DIN CLIPS ARE SHOWN IN WALL MOUNTING POSITION



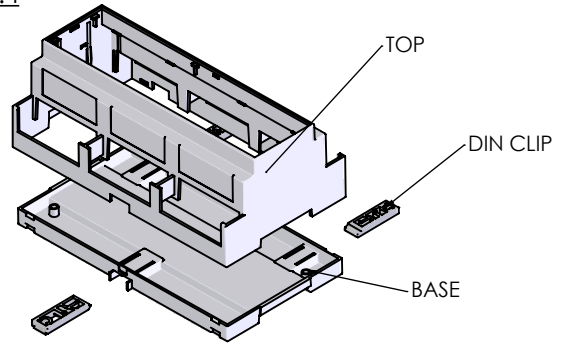
SECTION B-B

BASE



SECTION C-C

ISO VIEW
1:4



PCB DIMENSIONS (mm)	
A	86.5 x 155
B	57 x 155.4
C	42 x 154
D	34 x 59.6
E	40 x 155

CAMDENBOSS
ELECTRONICS & ENCLOSURES

JAMES CARTER RD, MILDENHALL, SUFFOLK. IP28 7DE
TEL: 01638 716101 FAX: 01638 716554
EMAIL: Sales@CamdenBoss.com
WEB: www.CamdenBoss.com

UNLESS OTHERWISE SPECIFIED:
DIMENSIONS ARE IN MILLIMETERS

FINISH:
SMOOTH

MATERIAL:
UV94-V0 PC

DO NOT SCALE DRAWING REVISION: 0

TITLE:
GNL ASSY DRG FOR CNMB SERIES

DWG NO.
CNMB-9-2

SCALE: 1 : 2

	NAME	SIGNED	DATE
DRAWN	L. SUBKHANKULOVA	LS	24/03/10
CHK'D	STUART HARDINGE	SJH	24/03/10

MATERIAL:	UV94-V0 PC	DWG NO.:	CNMB-9-2	A4
PROJECTION:		SCALE: 1 : 2	SHEET 1 OF 1	