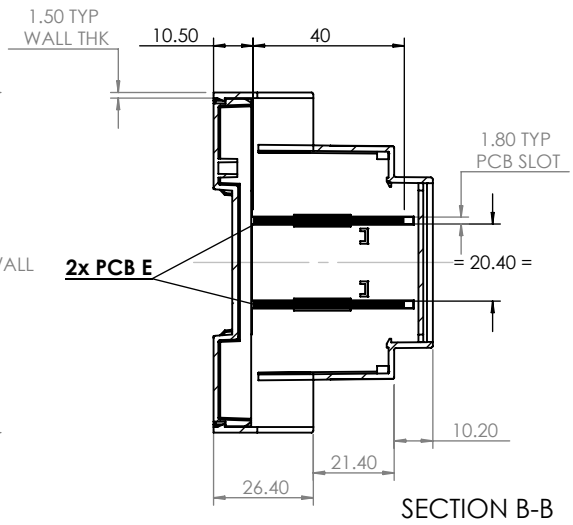
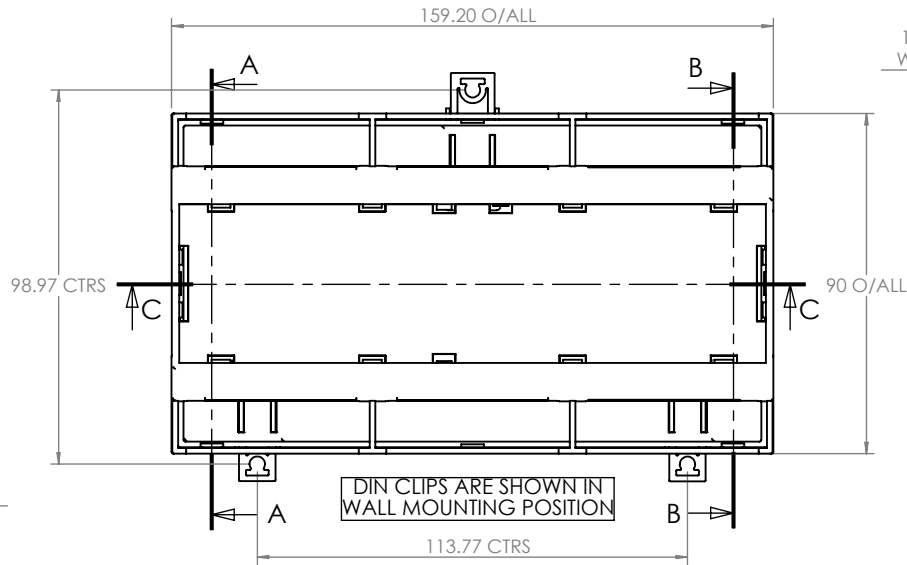
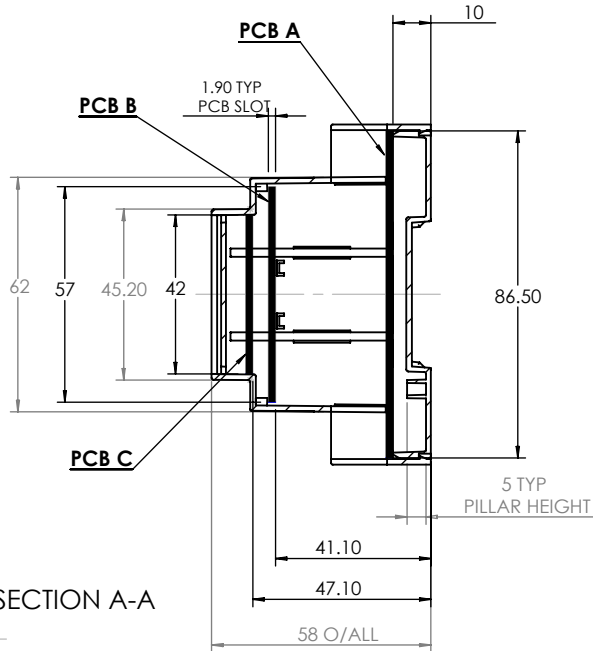
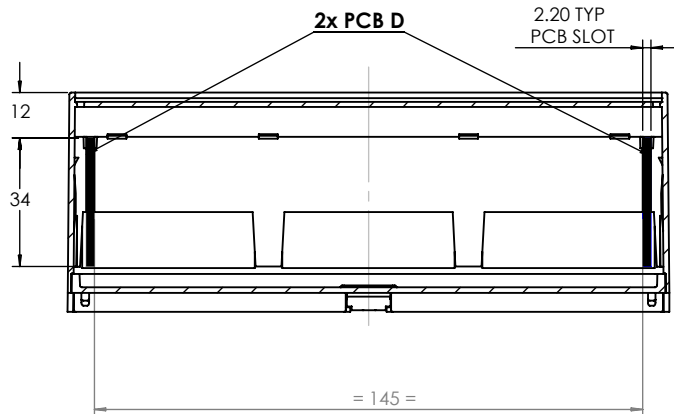
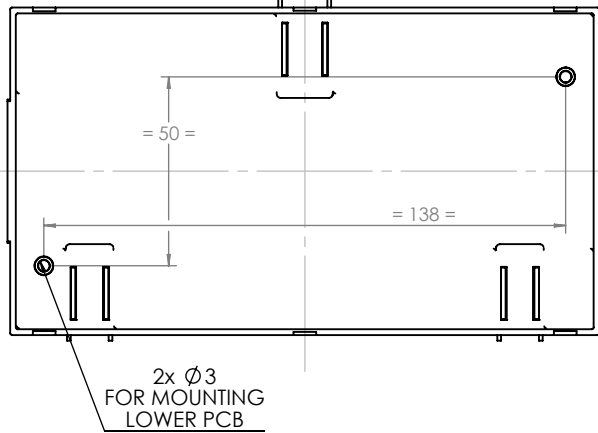


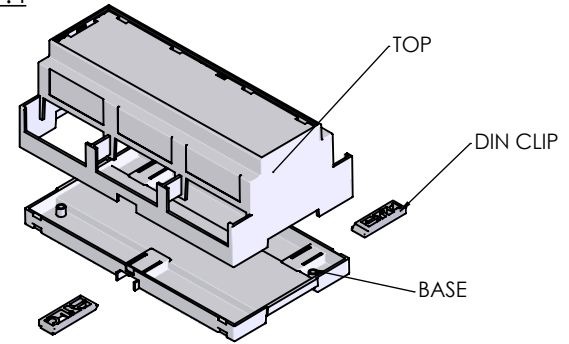
ASSEMBLY



BASE



**ISO VIEW
1:4**



PCB DIMENSIONS (mm)	
A	86.5 x 155
B	57 x 155.4
C	42 x 154
D	34 x 59.6
E	40 x 155

SECTION C-C

CAMDENBOSS
ELECTRONICS & ENCLOSURES
JAMES CARTER RD, MILDENHALL, SUFFOLK. IP28 7DE
TEL: 01638 716101 FAX: 01638 716554
EMAIL: Sales@CamdenBoss.com
WEB: www.CamdenBoss.com

UNLESS OTHERWISE SPECIFIED:
DIMENSIONS ARE IN MILLIMETERS

FINISH:
SMOOTH

MATERIAL:
UV94-V0 PC

DO NOT SCALE DRAWING REVISION: 0

TITLE:
**GNL ASSY DRG FOR
CNMB SERIES**

DWG NO.
CNMB-9-2 ST

	NAME	SIGNED	DATE
DRAWN	L. SUBKHANKULOVA	LS	24/03/10
CHK'D	STUART HARDINGE	SJH	24/03/10

PROJECTION:

SCALE: 1 : 2

SHEET 1 OF 1

A4