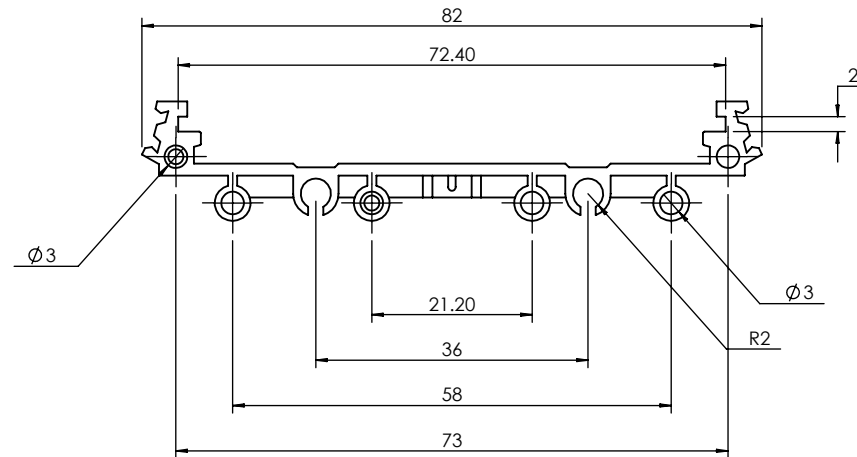


ISO VIEW  
1:1



 <b>CAMDENBOSS</b> ELECTRONICS & ENCLOSURES JAMES CARTER RD, MILDENHALL, SUFFOLK. IP28 7DE TEL: 01638 716101 FAX: 01638 716554 EMAIL: Sales@CamdenBoss.com WEB: www.CamdenBoss.com				UNLESS OTHERWISE SPECIFIED: DIMENSIONS ARE IN MILLIMETERS		DO NOT SCALE DRAWING		REVISION. ○	
				GENERAL TOLERANCES +/- 0.2		TITLE: <b>DIMENSION DRAWING FOR CIME- BE-1125SS</b>			
				FINISH. NONE		DWG NO. <b>CIME-M-BE-1125SS</b>		A4	
				MATERIAL. PA UL - 94 V0		SCALE: 1:1		SHEET 1 OF 1	
DRAWN	IAN PAGANO	I.P.	09/04/14	PROJECTION.					
CHKD	-	-	-						