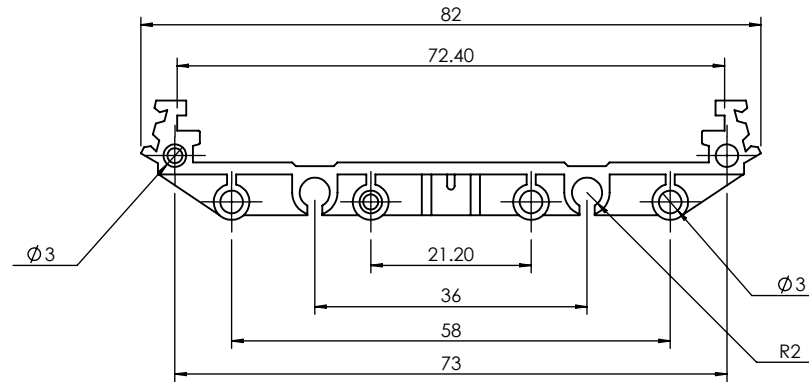


ISO VIEW  
1:1



<p><b>CAMDENBOSS</b> ELECTRONICS &amp; ENCLOSURES</p> <p>JAMES CARTER RD, MILDENHALL, SUFFOLK. IP28 7DE TEL: 01638 716101 FAX: 01638 716554 EMAIL: Sales@CamdenBoss.com WEB: www.CamdenBoss.com</p>				UNLESS OTHERWISE SPECIFIED: DIMENSIONS ARE IN MILLIMETERS		DO NOT SCALE DRAWING		REVISION. ○		
				GENERAL TOLERANCES +/- 0.2		FINISH. GLOSS		TITLE: DIMENSION DRAWING FOR CIME- BE-4500		
DRAWN IAN PAGANO		SIGNED I.P.		DATE 28/03/14		MATERIAL. PA UL - 94 V0		DWG NO. CIME-M-BE-4500SS		A4
CHKD -		-		-		PROJECTION.		SCALE: 1:1		SHEET 1 OF 1