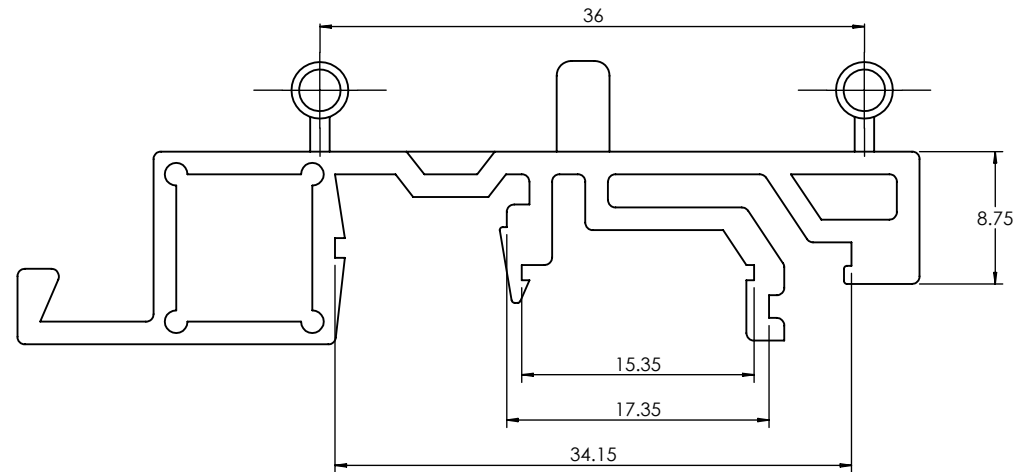
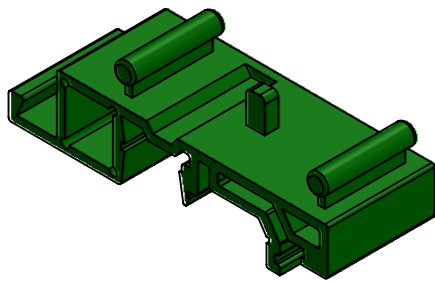


ISO VIEW
1:1



<p>CAMDENBOSS ELECTRONICS & ENCLOSURES</p> <p>JAMES CARTER RD, MILDENHALL, SUFFOLK. IP28 7DE TEL: 01638 716101 FAX: 01638 716554 EMAIL: Sales@CamdenBoss.com WEB: www.CamdenBoss.com</p>				UNLESS OTHERWISE SPECIFIED: DIMENSIONS ARE IN MILLIMETERS		DO NOT SCALE DRAWING		REVISION. <input type="checkbox"/>	
				GENERAL TOLERANCES +/- 0.2		TITLE: DIMENSION DRAWING FOR CIMEE-M-FE0000SS			
				FINISH. GLOSS		DWG NO. CIME-M-FE0000SS		A4	
DRAWN	NAME IAN PAGANO	SIGNED I.P.	DATE 28/03/14	MATERIAL. PA UL - 94 V0		SCALE: 2:1		SHEET 1 OF 1	
CHKD	-	-	-	PROJECTION.					