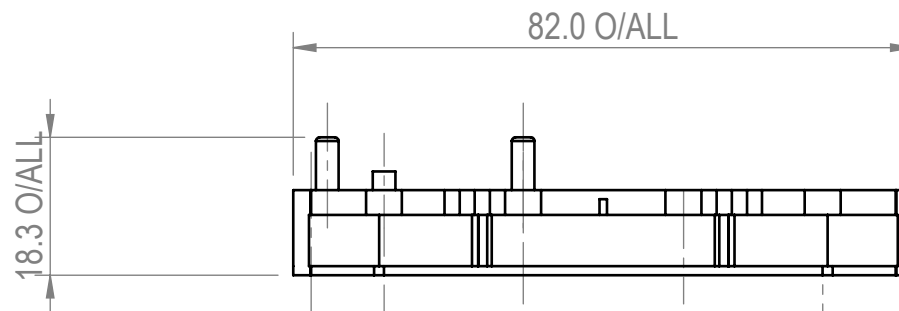
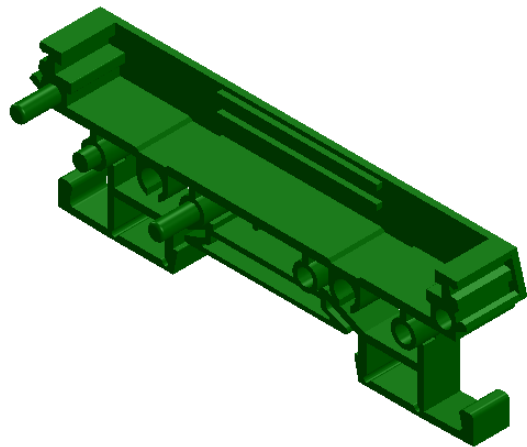




ISO VIEW
1:1



 <p>CAMDENBOSS ELECTRONICS & ENCLOSURES</p> <p>JAMES CARTER RD, MILDENHALL, SUFFOLK. IP28 7DE TEL: 01638 716101 FAX: 01638 716554 EMAIL: Sales@CamdenBoss.com WEB: www.CamdenBoss.com</p>				UNLESS OTHERWISE SPECIFIED: DIMENSIONS ARE IN MILLIMETERS		DO NOT SCALE DRAWING		REVISION: 0		
				GENERAL TOLERANCES +/- 0.2		FINISH: GLOSS		TITLE: DIMENSION DRAWING FOR CIME-M-SE1125SS		
DRAWN: IAN PAGANO		SIGNED: I.P.		DATE: 28/03/14		MATERIAL: PA UL - 94 V0		DWG NO. CIME-M-SE1125SS		A4
CHKD: -		-		-		PROJECTION: 		SCALE: 1:1		SHEET 1 OF 1