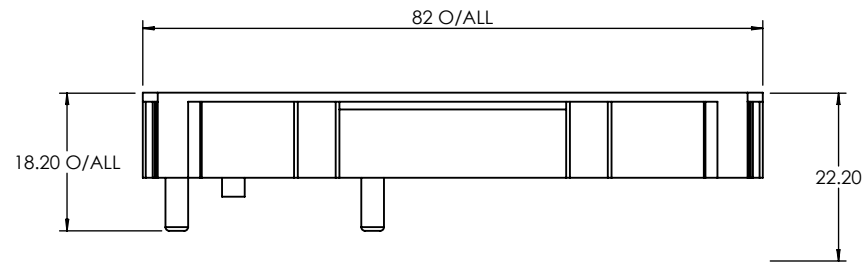


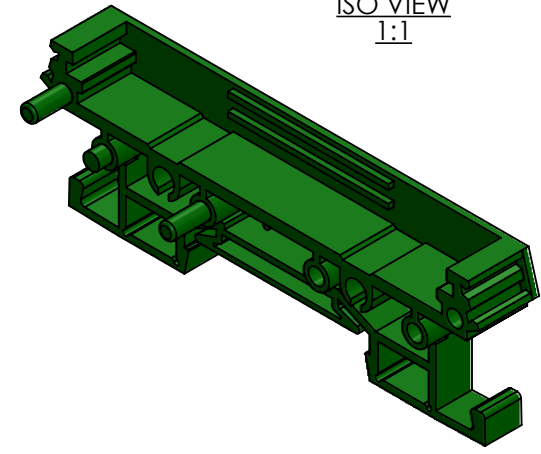
1 2 3 4 5 6

A

A

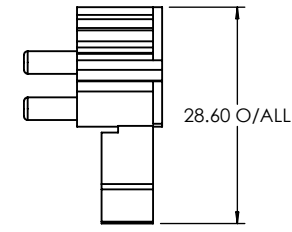
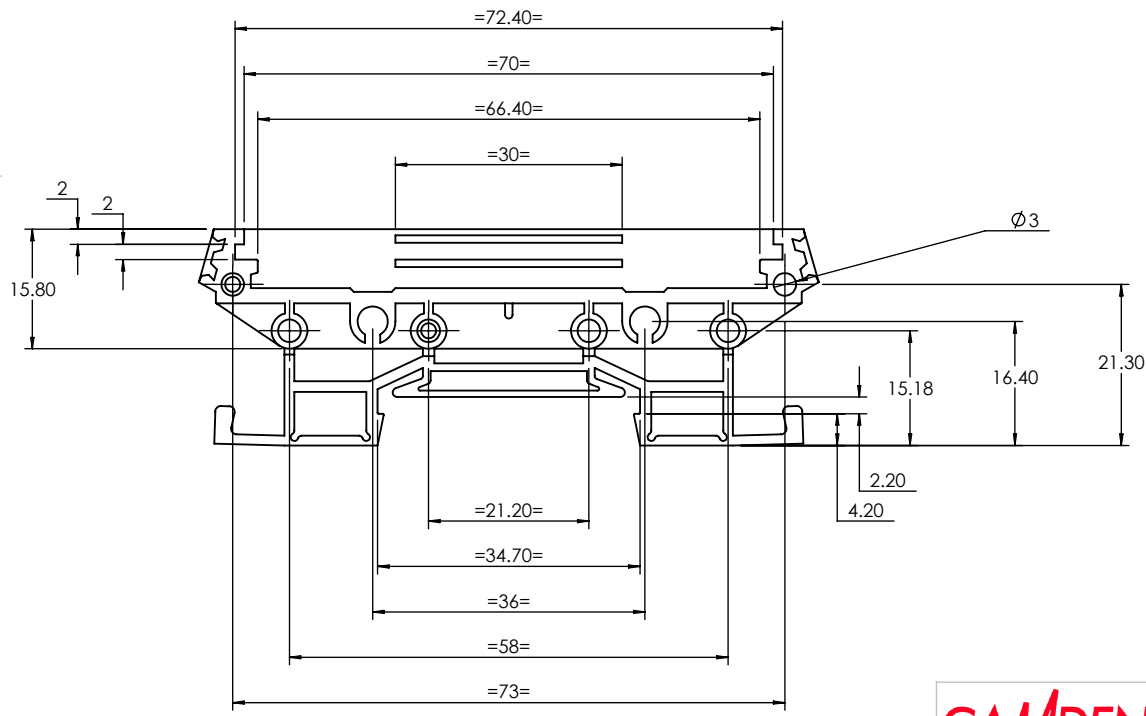


ISO VIEW
1:1



B

B



C

C

D

D

 JAMES CARTER RD, MILDENHALL, SUFFOLK. IP28 7DE TEL: 01638 716101 FAX: 01638 716554 EMAIL: Sales@CamdenBoss.com WEB: www.CamdenBoss.com				UNLESS OTHERWISE SPECIFIED: DIMENSIONS ARE IN MILLIMETERS		DO NOT SCALE DRAWING		REVISION. ○	
				GENERAL TOLERANCES +/- 0.2		TITLE: DIMENSION DRAWING FOR CIME-M-SEF1125SS			
FINISH. GLOSS				MATERIAL. PA UL - 94 V0		DWG NO. CIME-M-SEF1125SS		A4	
DRAWN	IAN PAGANO	SIGNED	I.P.	DATE	09/04/14	SCALE: 1:1		SHEET 1 OF 1	
CHKD	-	-	-	-	-	PROJECTION.			

1 2 3