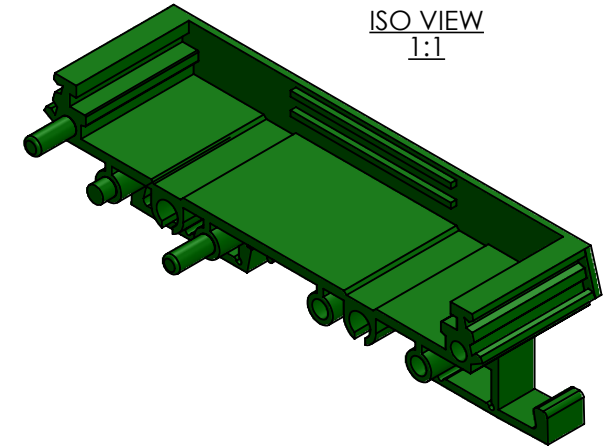
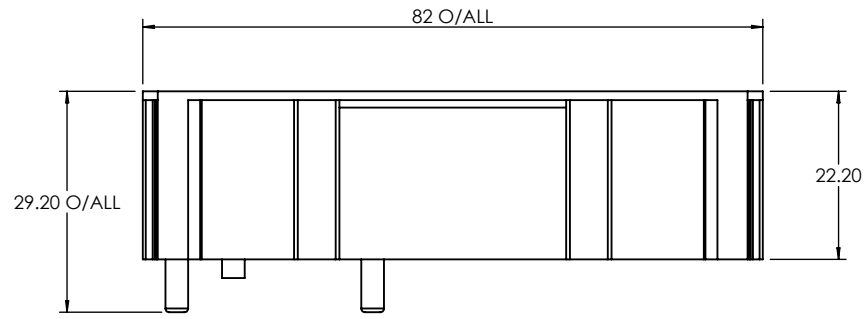


1 2 3 4 5 6

A

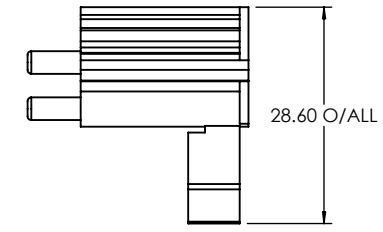
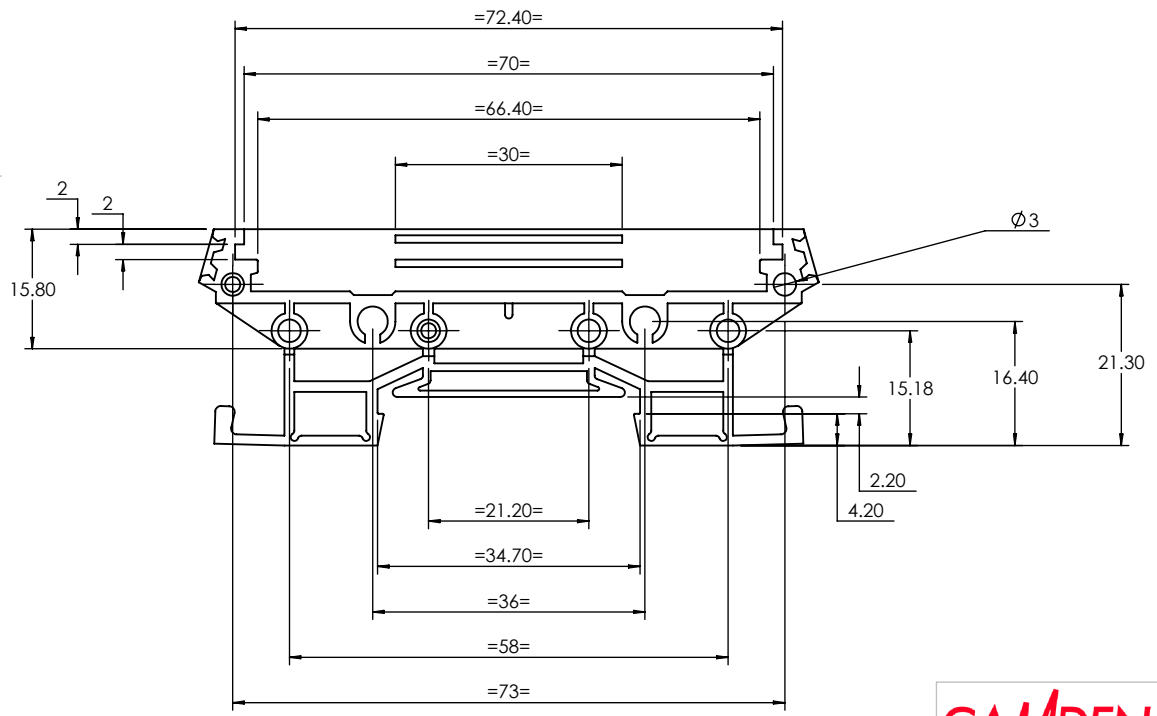
A



ISO VIEW
1:1

B

B



C

C

D

D

 JAMES CARTER RD, MILDENHALL, SUFFOLK. IP28 7DE TEL: 01638 716101 FAX: 01638 716554 EMAIL: Sales@CamdenBoss.com WEB: www.CamdenBoss.com				UNLESS OTHERWISE SPECIFIED: DIMENSIONS ARE IN MILLIMETERS		DO NOT SCALE DRAWING		REVISION. ○		
				GENERAL TOLERANCES +/- 0.2		FINISH. GLOSS		TITLE: DIMENSION DRAWING FOR CIME-M-SE2250SS		
DRAWN IAN PAGANO		SIGNED I.P.		DATE 09/04/14		MATERIAL. PA UL - 94 V0		DWG NO. CIME-M-SEF2250SS		A4
CHKD -		-		-		PROJECTION.		SCALE. 1:1		SHEET 1 OF 1

1 2 3