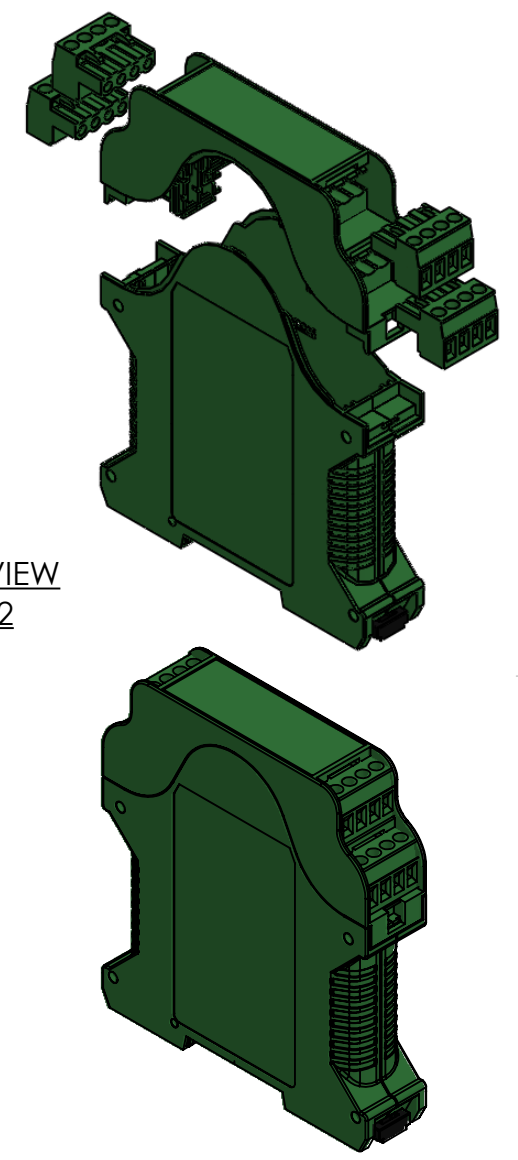
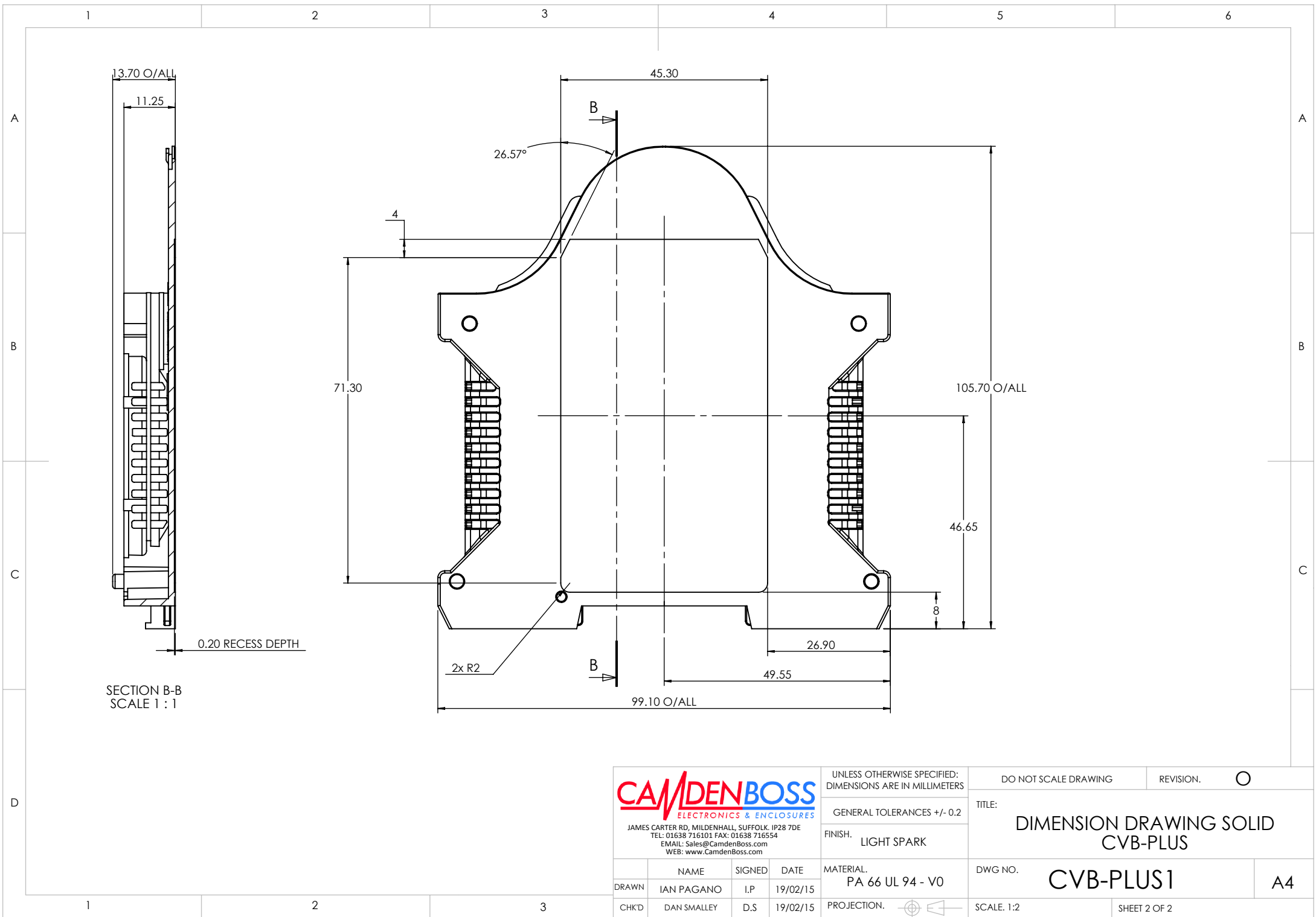


ISO VIEW  
1:2



<p><b>CAMDENBOSS</b> ELECTRONICS &amp; ENCLOSURES</p> <p>JAMES CARTER RD, MILDENHALL, SUFFOLK. IP28 7DE TEL: 01638 716101 FAX: 01638 716554 EMAIL: Sales@CamdenBoss.com WEB: www.CamdenBoss.com</p>				UNLESS OTHERWISE SPECIFIED: DIMENSIONS ARE IN MILLIMETERS		DO NOT SCALE DRAWING		REVISION. <input type="checkbox"/>	
				GENERAL TOLERANCES +/- 0.2		TITLE: DIMENSION DRAWING SOLID CVB-PLUS			
FINISH. LIGHT SPARK				MATERIAL. PA 66 UL 94 - V0		DWG NO. CVB-PLUS1		A4	
DRAWN	IAN PAGANO	I.P.	19/02/15	PROJECTION.		SCALE: 1:2	SHEET 1 OF 2		
CHK'D	DAN SMALLEY	D.S.	19/02/15						



SECTION B-B  
SCALE 1 : 1

**CAMDENBOSS**  
ELECTRONICS & ENCLOSURES

JAMES CARTER RD, MILDENHALL, SUFFOLK. IP28 7DE  
TEL: 01638 716101 FAX: 01638 716554  
EMAIL: Sales@CamdenBoss.com  
WEB: www.CamdenBoss.com

UNLESS OTHERWISE SPECIFIED:  
DIMENSIONS ARE IN MILLIMETERS

GENERAL TOLERANCES +/- 0.2

FINISH. LIGHT SPARK

MATERIAL. PA 66 UL 94 - V0

DO NOT SCALE DRAWING	REVISION. ○
TITLE: <b>DIMENSION DRAWING SOLID CVB-PLUS</b>	
DWG NO. <b>CVB-PLUS1</b>	A4
SCALE: 1:2	SHEET 2 OF 2

	NAME	SIGNED	DATE
DRAWN	IAN PAGANO	I.P.	19/02/15
CHK'D	DAN SMALLEY	D.S.	19/02/15

PROJECTION.