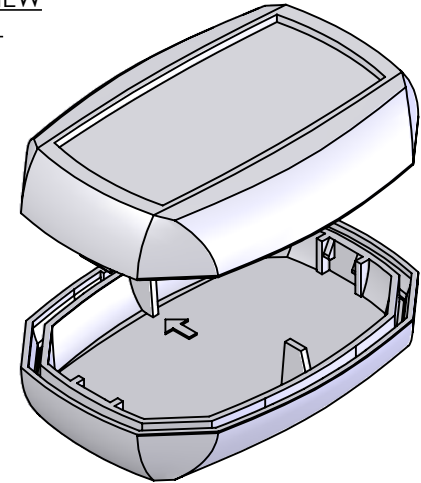
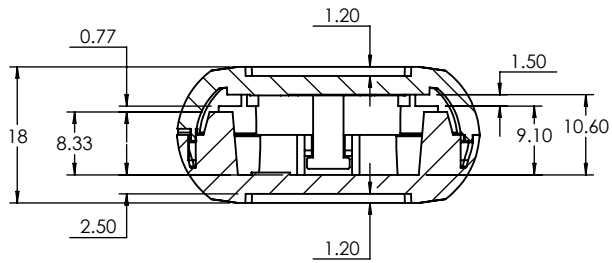


ISO VIEW
1:1

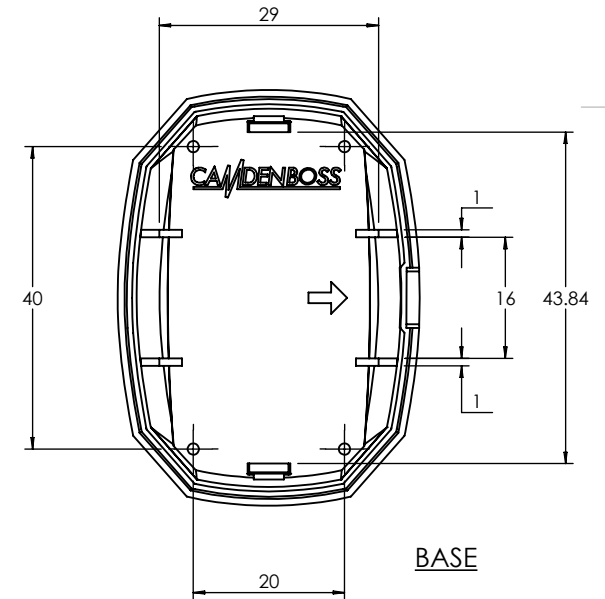


ASSEMBLY



SECTION A-A

LID



BASE

CAMDENBOSS
ELECTRONICS & ENCLOSURES

JAMES CARTER RD, MILDENHALL, SUFFOLK. IP28 7DE
TEL: 01638 716101 FAX: 01638 716554
EMAIL: Sales@CamdenBoss.com
WEB: www.CamdenBoss.com

UNLESS OTHERWISE SPECIFIED:
DIMENSIONS ARE IN MILLIMETERS

GENERAL TOLERANCES +/- 0.2

FINISH. FINE TEXTURE

MATERIAL. UL - 94 V0 ABS

PROJECTION.

DO NOT SCALE DRAWING

REVISION.

TITLE:

GNL ASSEMBLY DRG FOR 62
SERIES

DWG NO.

CHH621GRY

A4

SCALE: 1:1

SHEET 1 OF 1

	NAME	SIGNED	DATE
DRAWN	IAN PAGANO	I.P.	09/04/14
CHK'D	-	-	-