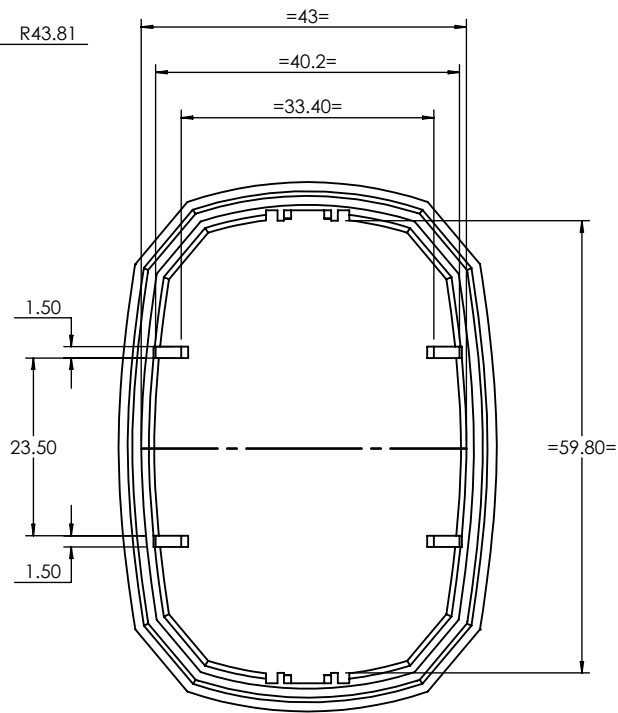
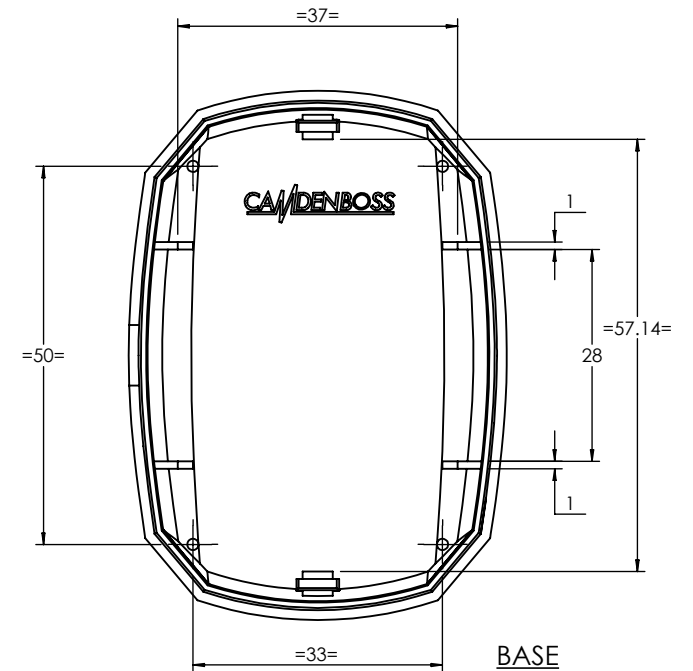


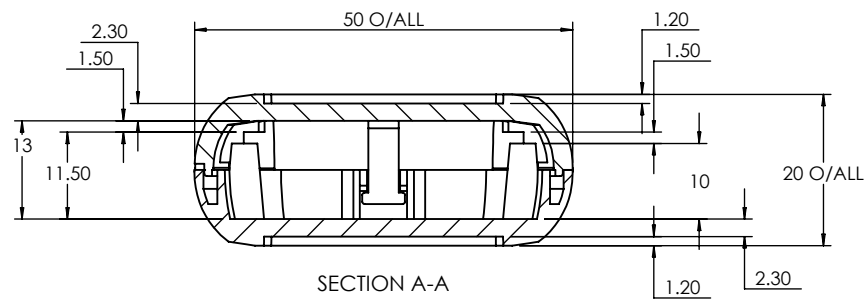
ASSEMBLY



TOP

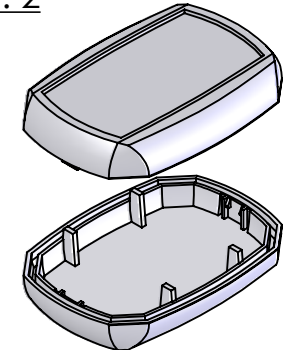


BASE



SECTION A-A

ISO VIEW
1:2



CAMDENBOSS
ELECTRONICS & ENCLOSURES
JAMES CARTER RD, MILDENHALL, SUFFOLK. IP28 7DE
TEL: 01638 716101 FAX: 01638 716554
EMAIL: Sales@CamdenBoss.com
WEB: www.CamdenBoss.com

UNLESS OTHERWISE SPECIFIED:
DIMENSIONS ARE IN MILLIMETERS
GENERAL TOLERANCES +/- 0.2
FINISH. FINE TEXTURE
MATERIAL. UL - 94 V0 ABS

DO NOT SCALE DRAWING	REVISION. ○
TITLE: GNL ASSEMBLY DRG FOR 62 SERIES	
DWG NO. CHH623BLK	A4
SCALE: 1:2	SHEET 1 OF 1

	NAME	SIGNED	DATE
DRAWN	IAN PAGANO	I.P.	09/04/14
CHKD	-	-	-

PROJECTION.