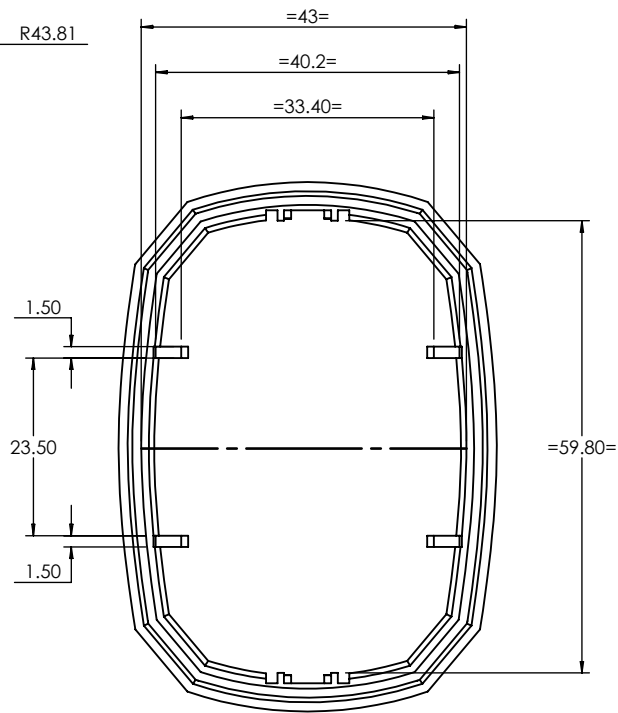
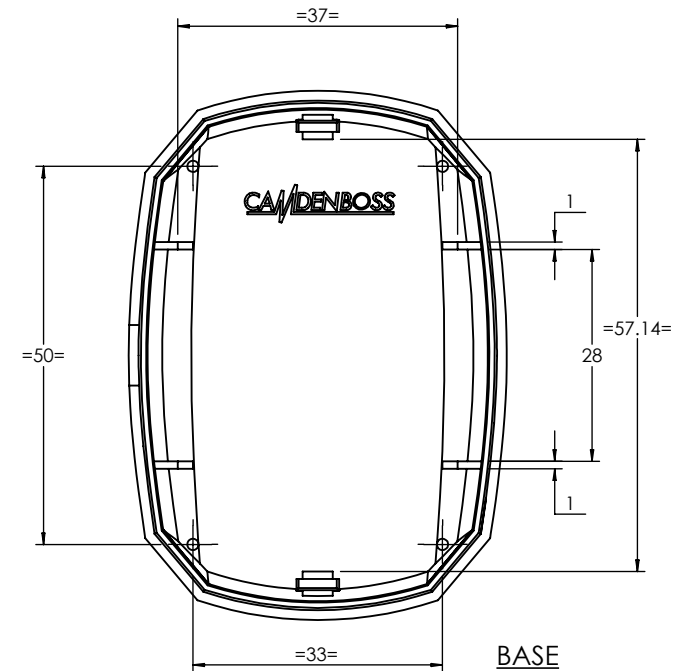


ASSEMBLY

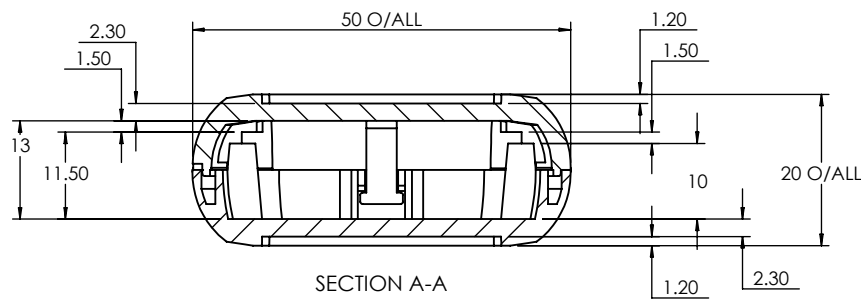
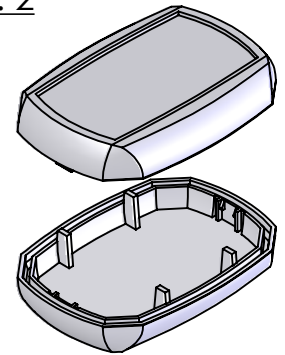


TOP



BASE

ISO VIEW
1:2



SECTION A-A

CAMDENBOSS
ELECTRONICS & ENCLOSURES
JAMES CARTER RD, MILDENHALL, SUFFOLK. IP28 7DE
TEL: 01638 716101 FAX: 01638 716554
EMAIL: Sales@CamdenBoss.com
WEB: www.CamdenBoss.com

UNLESS OTHERWISE SPECIFIED:
DIMENSIONS ARE IN MILLIMETERS

DO NOT SCALE DRAWING

REVISION. ○

GENERAL TOLERANCES +/- 0.2

TITLE:

GNL ASSEMBLY DRG FOR 62
SERIES

FINISH. FINE TEXTURE

DWG NO.

CHH623GRY

A4

	NAME	SIGNED	DATE
DRAWN	IAN PAGANO	I.P.	09/04/14
CHKD	-	-	-

MATERIAL. UL - 94 V0 ABS

PROJECTION.

SCALE: 1:2

SHEET 1 OF 1