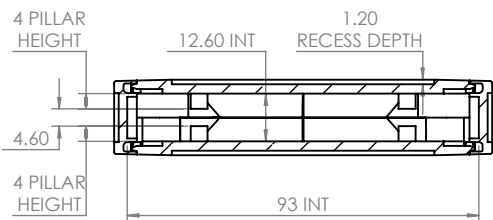
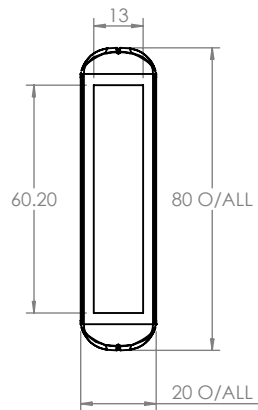
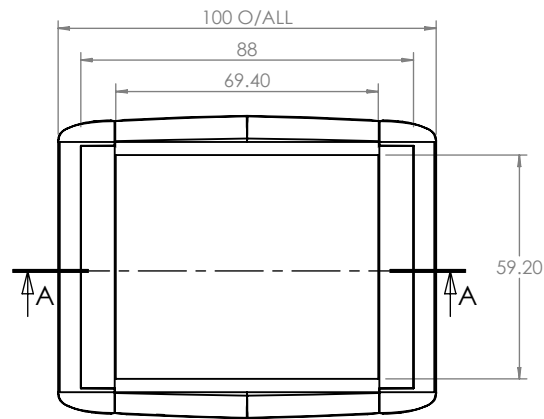


BASE

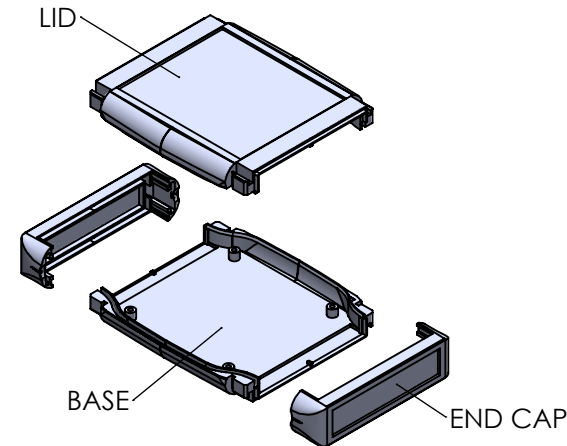
TOP



SECTION A-A

ASSEMBLY

ISO VIEW
1:3



END CAP SUPPLIED SEPERATELY

- CHH64E1OR
- CHH64E1GR
- CHH64E1YL
- CHH64E1BL
- CHH64E1RD
- CHH64E1DG
- CHH64E1BK



CAMDENBOSS
ELECTRONICS & ENCLOSURES

JAMES CARTER RD, MILDENHALL, SUFFOLK. IP28 7DE
TEL: 01638 716101 FAX: 01638 716554
EMAIL: Sales@CamdenBoss.com
WEB: www.CamdenBoss.com

UNLESS OTHERWISE SPECIFIED:
DIMENSIONS ARE IN MILLIMETERS

GENERAL TOLERANCES +/- 0.2

FINISH:
LIGHT SPARK

MATERIAL: UL94-V0 ABS
BLACK

DO NOT SCALE DRAWING

REVISION. 0

TITLE: GENERAL ASSEMBLY DRAWING
FOR 64 SERIES

	NAME	SIGNED	DATE
DRAWN	JAMIE JACOBS	JNJ	24/06/13
CHK'D	-	-	-

DWG NO.	CHH641NBK	A4
---------	-----------	----

PROJECTION.

SCALE: 1 : 2

SHEET 1 OF 1