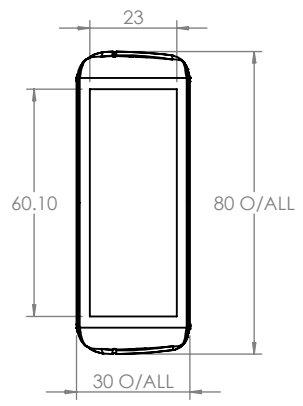
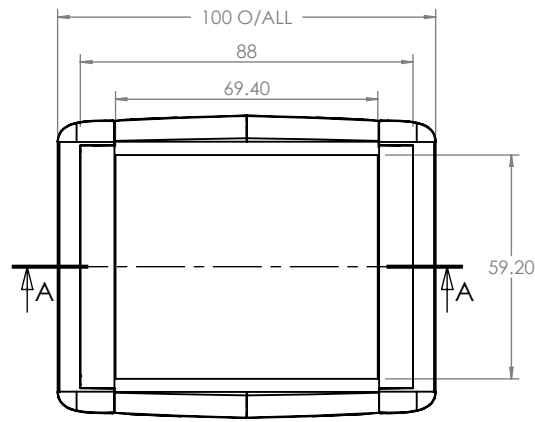
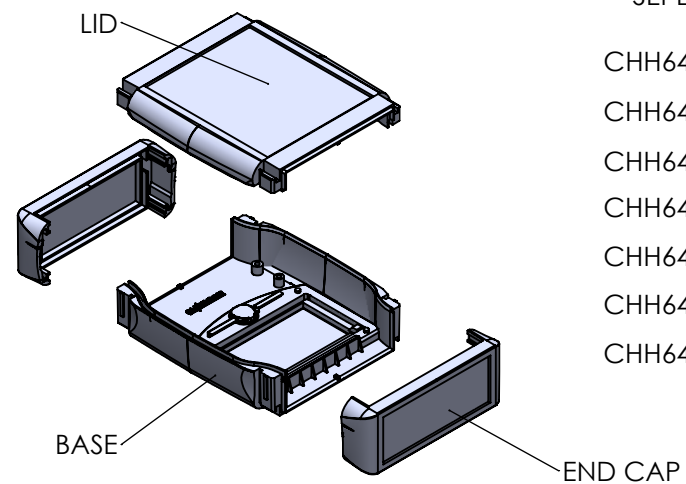


**BASE**

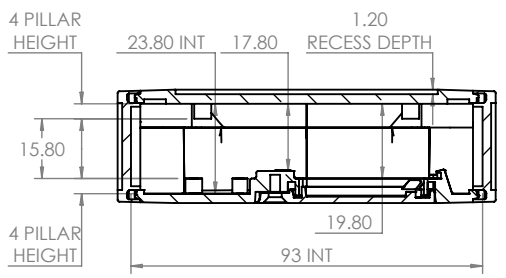
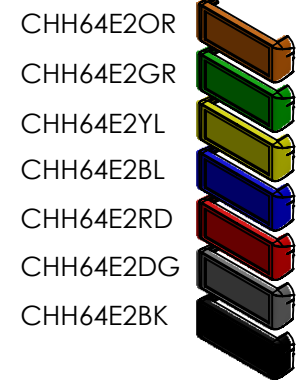
**TOP**



**ISO VIEW**  
1:3



END CAP & BATTERY COMPARTMENTS SUPPLIED SEPERATELY



**ASSEMBLY SECTION A-A**

<p><b>CAMDENBOSS</b> ELECTRONICS &amp; ENCLOSURES</p> <p>JAMES CARTER RD, MILDENHALL, SUFFOLK. IP28 7DE TEL: 01638 716101 FAX: 01638 716554 EMAIL: Sales@CamdenBoss.com WEB: www.CamdenBoss.com</p>		UNLESS OTHERWISE SPECIFIED: DIMENSIONS ARE IN MILLIMETERS		DO NOT SCALE DRAWING		REVISION. 0	
		GENERAL TOLERANCES +/- 0.2		TITLE: <b>GENERAL ASSEMBLY DRAWING FOR 64 SERIES</b>			
FINISH: <b>LIGHT SPARK</b>		MATERIAL. <b>UL94-V0 ABS GREY</b>		DWG NO. <b>CHH642BGY</b>		A4	
DRAWN	JAMIE JACOBS	SIGNED	JJ	DATE	24/06/13	SCALE: 1:2	SHEET 1 OF 1
CHK'D	-	-	-	PROJECTION.			