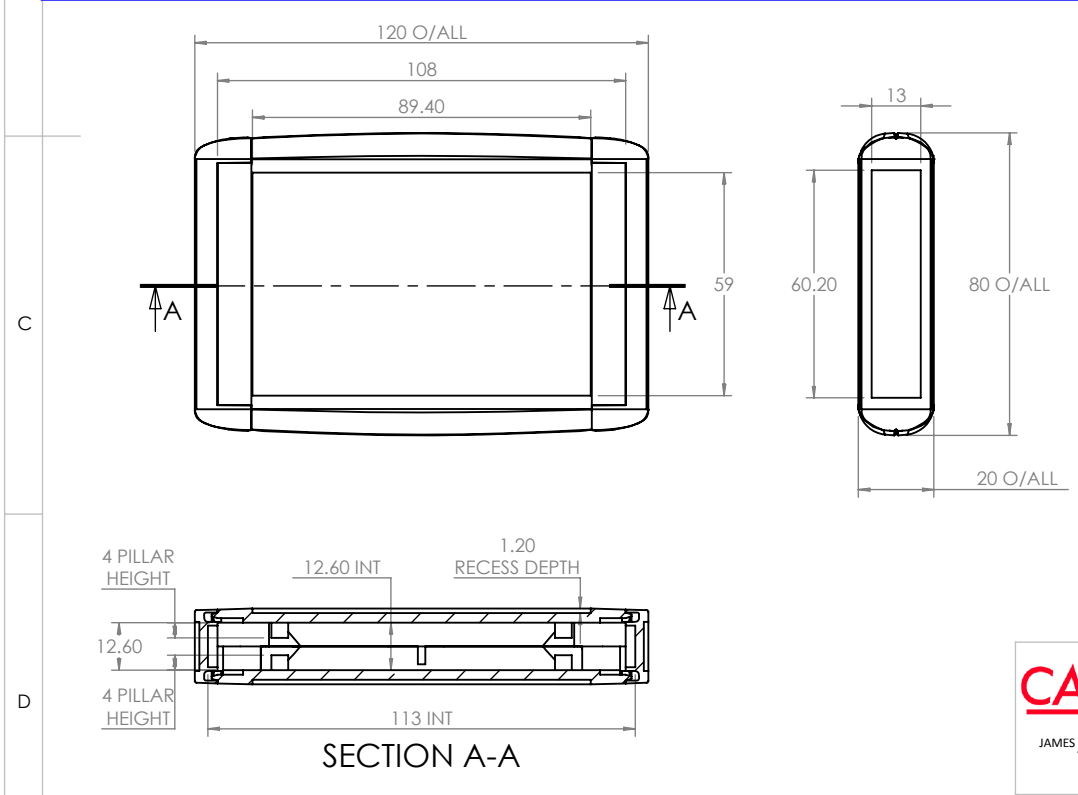


BASE

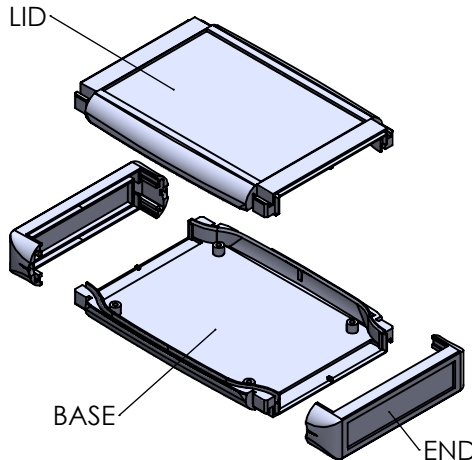
TOP



ASSEMBLY

SECTION A-A

**ISO VIEW
1:3**



END CAP SUPPLIED SEPERATELY

- CHH64E1OR
- CHH64E1GR
- CHH64E1YL
- CHH64E1BL
- CHH64E1RD
- CHH64E1DG
- CHH64E1BK



<p>CAMDENBOSS ELECTRONICS & ENCLOSURES</p> <p>JAMES CARTER RD, MILDENHALL, SUFFOLK. IP28 7DE TEL: 01638 716101 FAX: 01638 716554 EMAIL: Sales@CamdenBoss.com WEB: www.CamdenBoss.com</p>		UNLESS OTHERWISE SPECIFIED: DIMENSIONS ARE IN MILLIMETERS		DO NOT SCALE DRAWING		REVISION. 0	
		GENERAL TOLERANCES +/- 0.2		TITLE: GENERAL ASSEMBLY DRAWING FOR 64 SERIES			
DRAWN: JAMIE JACOBS		SIGNED: JNJ		DATE: 24/06/13		MATERIAL: UL94-V0 ABS BLACK	
CHKD: -		-		-		DWG NO. CHH643NBK	
		PROJECTION:		SCALE: 1 : 2		SHEET 1 OF 1	

A4