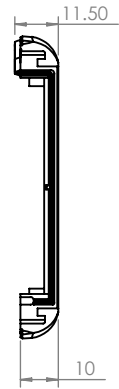
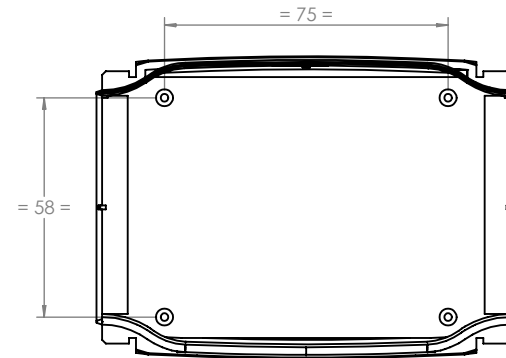
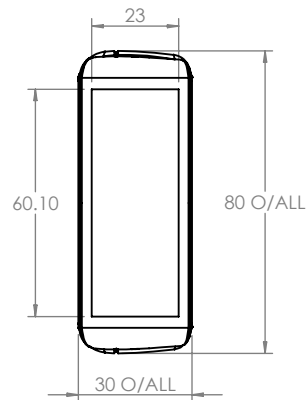
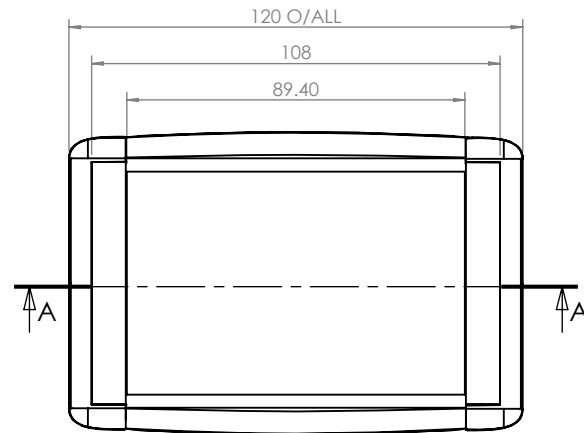


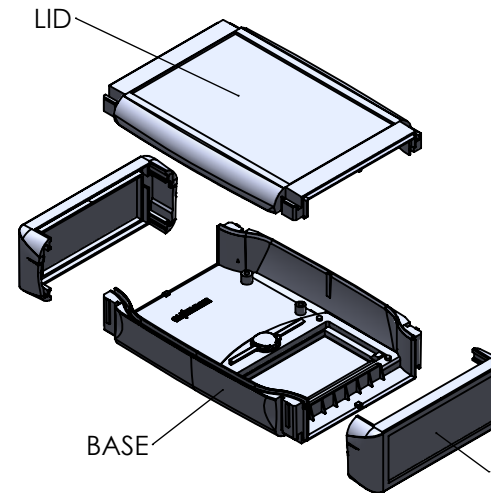
BASE



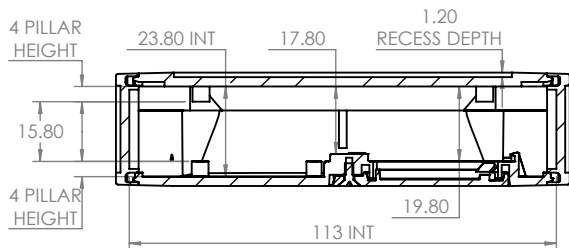
TOP



**ISO VIEW
1:3**



END CAP & BATTERY
COMPARTMENTS SUPPLIED
SEPERATELY



ASSEMBLY

SECTION A-A

<p>CAMDENBOSS ELECTRONICS & ENCLOSURES</p> <p>JAMES CARTER RD, MILDENHALL, SUFFOLK. IP28 7DE TEL: 01638 716101 FAX: 01638 716554 EMAIL: Sales@CamdenBoss.com WEB: www.CamdenBoss.com</p>		UNLESS OTHERWISE SPECIFIED: DIMENSIONS ARE IN MILLIMETERS		DO NOT SCALE DRAWING		REVISION. 0	
		GENERAL TOLERANCES +/- 0.2		TITLE: GENERAL ASSEMBLY DRAWING FOR 64 SERIES			
DRAWN JAMIE JACOBS		SIGNED JNJ		DATE 24/06/13		MATERIAL. UL94-V0 ABS GREY	
CHKD -		-		-		DWG NO. CHH644BGY	
				PROJECTION.		SCALE. 1 : 2	
						SHEET 1 OF 1	

A4