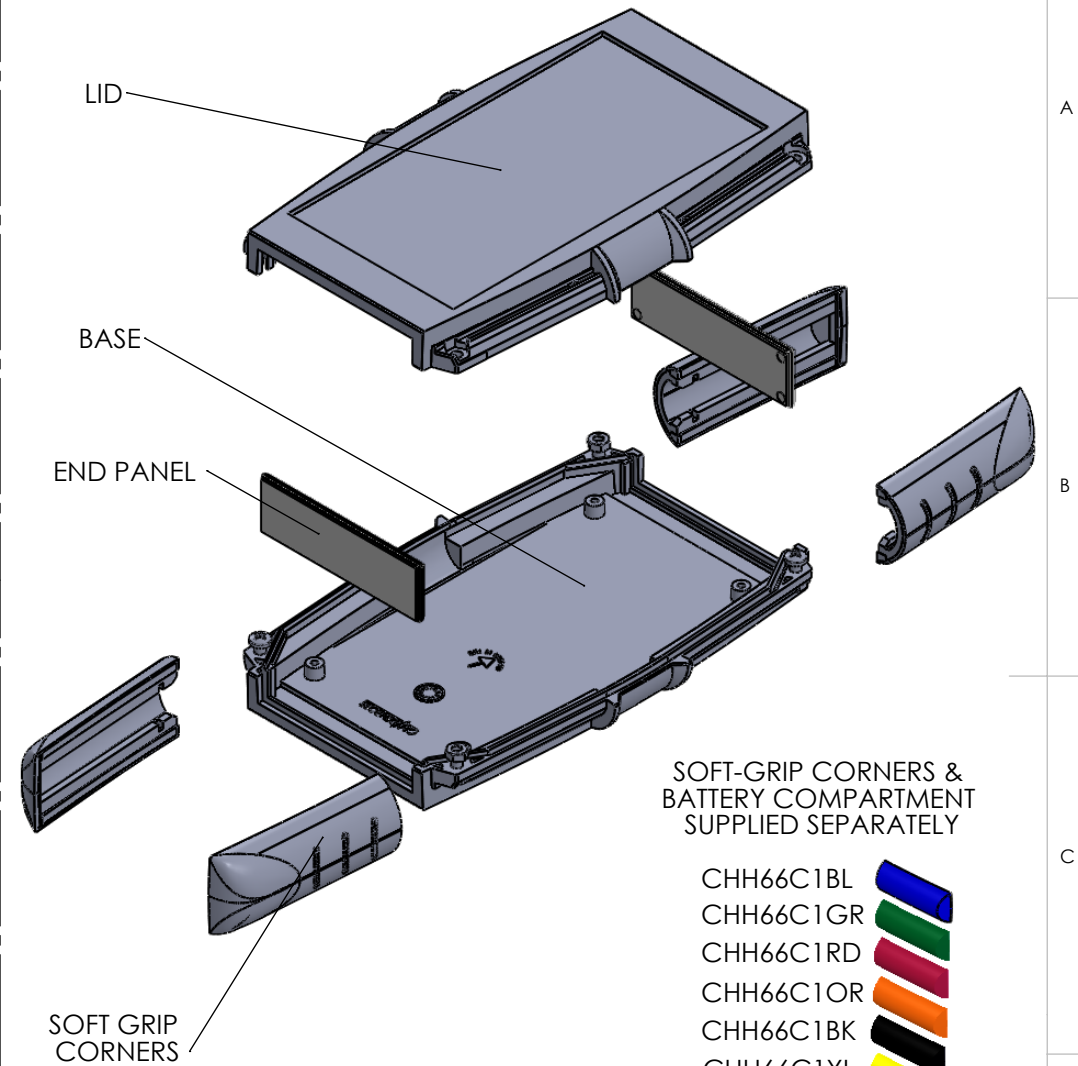


SECTION A-A
SCALE 1 : 2



SOFT-GRIP CORNERS &
BATTERY COMPARTMENT
SUPPLIED SEPARATELY

- CHH66C1BL
- CHH66C1GR
- CHH66C1RD
- CHH66C1OR
- CHH66C1BK
- CHH66C1YL
- CHH66C1GY

		UNLESS OTHERWISE SPECIFIED: DIMENSIONS ARE IN MILLIMETERS		DO NOT SCALE DRAWING		REVISION. 0	
		GENERAL TOLERANCES +/- 0.2		TITLE: GNL ASSEMBLY DRG FOR 66 SERIES			
JAMES CARTER RD, MILDENHALL, SUFFOLK. IP28 7DE TEL: 01638 716101 FAX: 01638 716554 EMAIL: Sales@CamdenBoss.com WEB: www.CamdenBoss.com		FINISH: LIGHT SPARK		MATERIAL: UL94-V0 ABS BLACK		DWG NO. CHH661NBK	
DRAWN IAN PAGNO CHKD -	SIGNED I.P. -	DATE 11/01/13 -	PROJECTION.	SCALE		SHEET 1 OF 1	

A4