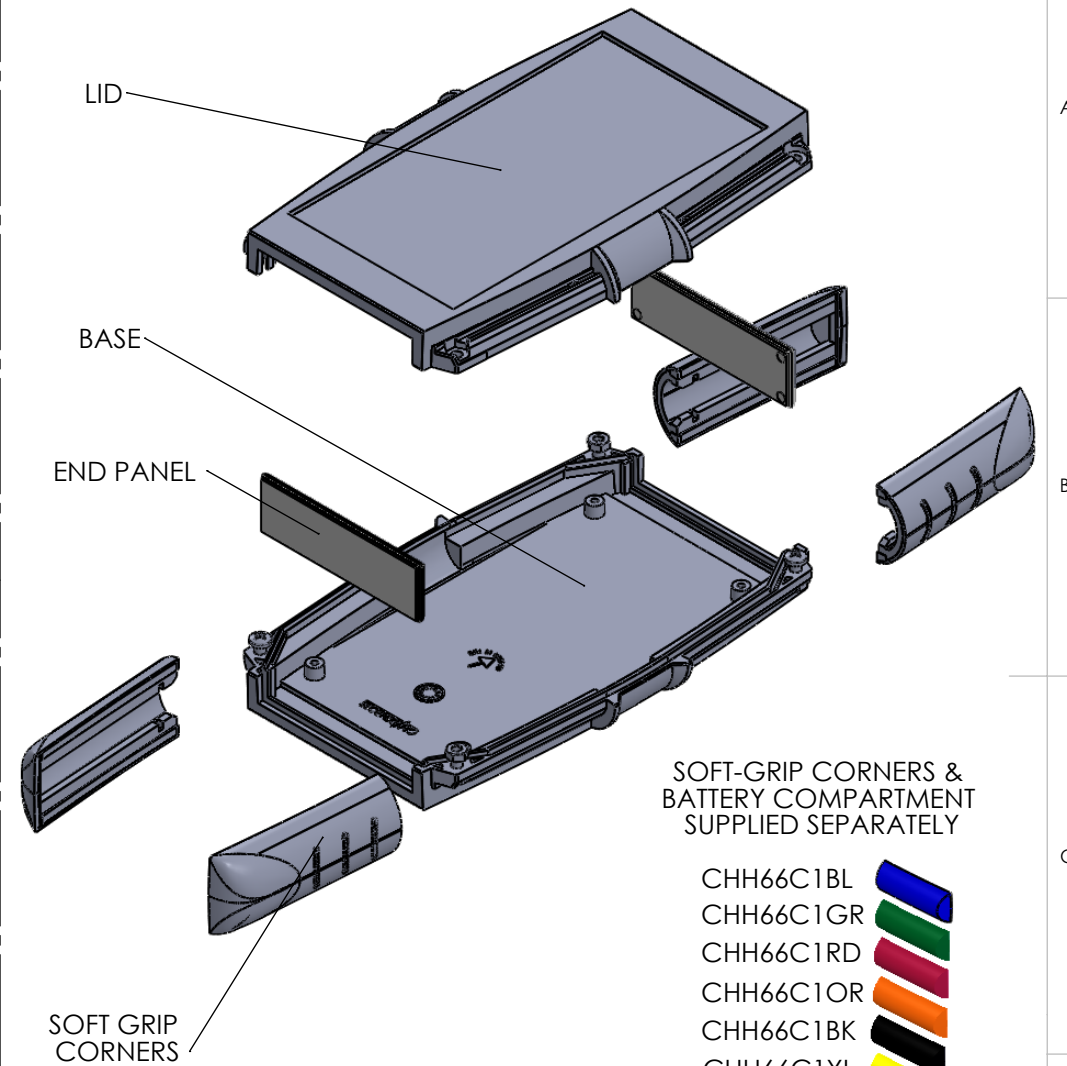


SECTION A-A  
SCALE 1 : 2



SOFT-GRIP CORNERS &  
BATTERY COMPARTMENT  
SUPPLIED SEPARATELY

- CHH66C1BL
- CHH66C1GR
- CHH66C1RD
- CHH66C1OR
- CHH66C1BK
- CHH66C1YL
- CHH66C1GY

		UNLESS OTHERWISE SPECIFIED: DIMENSIONS ARE IN MILLIMETERS		DO NOT SCALE DRAWING	REVISION. 0
		GENERAL TOLERANCES +/- 0.2		TITLE: GNL ASSEMBLY DRG FOR 66 SERIES	
JAMES CARTER RD, MILDENHALL, SUFFOLK. IP28 7DE TEL: 01638 716101 FAX: 01638 716554 EMAIL: Sales@CamdenBoss.com WEB: www.CamdenBoss.com		FINISH. LIGHT SPARK		DWG NO. CHH661NGY	
NAME IAN PAGNO SIGNED I.P. DATE 11/01/13	MATERIAL. UL94-V0 ABS GREY		SCALE		A4
DRAWN IAN PAGNO CHKD -	PROJECTION.		SHEET 1 OF 1		